

Types GCSYA-WEEB, GCS2YA
Tower Ground Clamps

The GCSYA-WEEB and GCS2YA series of connectors are used to terminate the equipment grounding conductor (EGC) to the tower structure, in applications where drilling or hot work permits are either not possible or unwanted. Installation requires no power tools and is simple to install. The GCSYA-WEEB single hole version is assembled with a WEEB® Washer to reduce one-hole lug rotation. These connectors can also be used in a variety of other applications as it is suitable to bond steel from 1/8" - 5/8" thick.

Features & Benefits

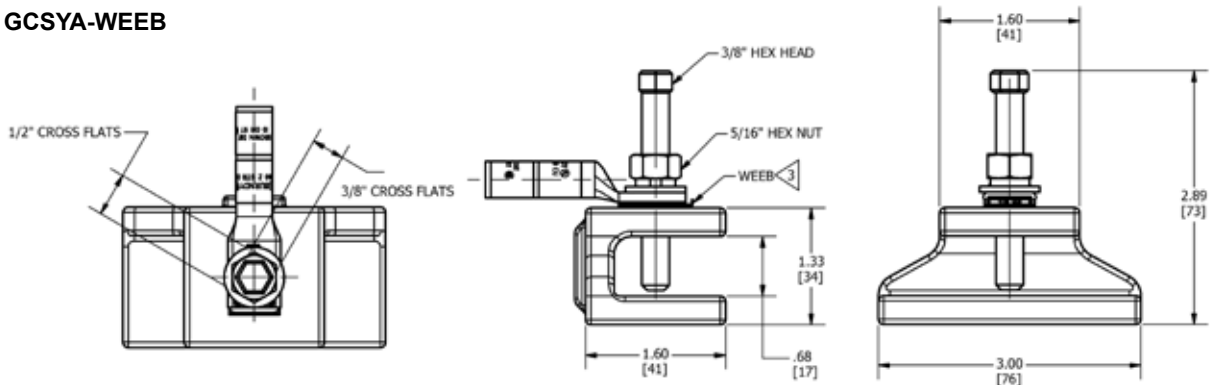
- Provides proper grounding of towers
- Easy and simple hex tooling installation
- No hot work permit or drilling required
- Includes compression lug and anti-rotation WEEB® Washer for one-hole applications
- Accommodates steel 1/8" to 5/8" thick
- Conductor range from #8 AWG to #2 AWG
- UL467 Listed
- AT&T Approved



Type GCSYA-WEEB



Type GCSYA-WEEB



One-Hole Style includes WEEB® Washer

Catalog Number	Conductor	Flange Thickness	Recommended Torque (in-lb)		Compression Lug	Compression Lug Installation Tooling and Details
			Bolt	Nut		
GCSYA8CWEEB	#8 AWG	1/8" to 5/8"	100	180	YA8CTC38	See Sales Drawings or Section C (Compression) in the BURNDY Catalog
GCSYA6CWEEB	#6 AWG				YA6CTC38	
GCSYA4CWEEB	#4 AWG				YA4CTC38	
GCSYA3CWEEB	#3 AWG				YA3C	
GCSYA2CWEEB	#2 AWG				YA2C	
GCSYA1CWEEB	#1 AWG				YA1C	
GCSYA25WEEB	1/0 AWG				YA25	
GCSYA26WEEB	2/0 AWG				YA26TC516	

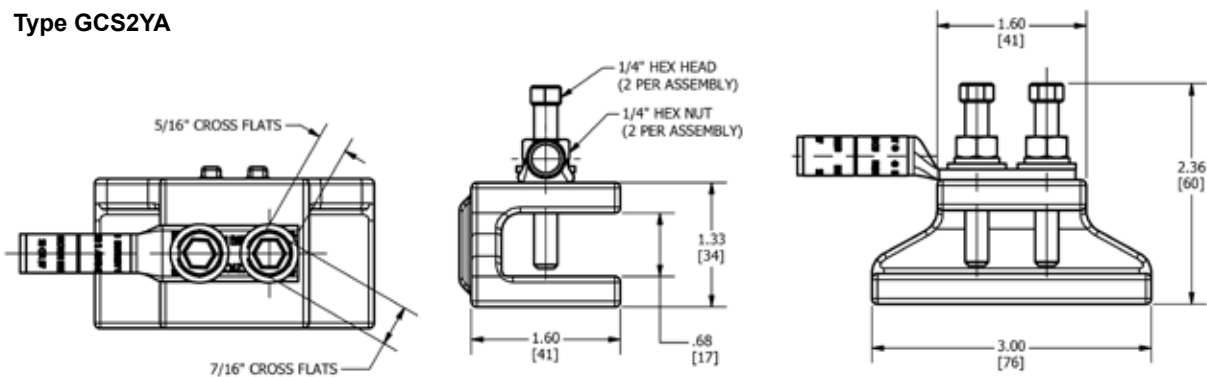
Types GCSYA-WEEB, GCS2YA (Continued)



Type GCS2YA



Type GCS2YA



Two-Hole Style does not include WEEB® Washer

Catalog Number	Conductor	Flange Thickness	Recommended Torque (in-lb)		Compression Lug	Compression Lug Installation Tooling and Details
			Bolt	Nut		
GCS2YA8C	#8 AWG	1/8" to 5/8"	100	180	YA8C2TC14E2	See Sales Drawings or Section C (Compression) in the BURNDY Catalog
GCS2YA6C	#6 AWG				YA6C2TC14E2	
GCS2YA4C	#4 AWG				YA4C2TC14E2	
GCS2YA3C	#3 AWG				YA3C2TC14E2	
GCS2YA2C	#2 AWG				YA2C2TC14E2	
GCS2YA1C	#1 AWG				YA1C2TC14E2	
GCS2YA25	1/0 AWG				YA252TC14E2	
GCS2YA26	2/0 AWG				YA262TC14E2	