

WEEB Rope Lay Jumper (WEEB-RLJ) Flexible Bonding Jumper Solutions

The WEEB® Rope Lay Jumper is the optimal solution for creating a bonding connection between applications involving moving components with coated surfaces. The WEEB-RLJ type jumpers are flexible in all directions and can be mounted to any coated flat surface creating an immediate bonded connection without the need to remove nonconductive coating. The rope lay jumper is made from tin plated copper stranding and crimped into a high-quality Burndy lug. It meets the requirements of both UL467 and UL2703. The WEEB Washer's patented WEEB® Washer teeth pierce through most nonconductive coatings and embed into the underlying metal thus creating a bonding connection between the lug and the coated metal component that it is installed on. Not having to remove nonconductive coatings will save on installation time, create a cleaner work environment and most importantly, prevent improper coating removal techniques that can lead to poor connections.



At a standard size equivalent to 6 AWG conductor, engineers and installers can be confident in meeting and exceeding bonding requirements in most applications.

The WEEB-RLJ is available with a variety of mounting hole sizes and in three standard lengths. Adding flexibility to both the installation process and application requirements, custom lengths and mounting configurations are available upon request.

Features and Benefits:

- Bonding connection between moving and stationary coated components with extremely flexible conductor stranding
- Standard mounting geometry and hardware requirements allow quick and easy installation
- Tin plated copper construction ensures durability against the elements and provides the environmental stability required for installation longevity
- The WEEB® Washer is made from corrosion resistant 304 stainless steel which provides outstanding durability and performance
- Offered in a variety of lengths and mounting hardware sizes – customer configurations available upon request
- Listed to UL467 and UL2703

Part Key

Line	WEEB-RLJ	Standard Rope Lay Jumper
AWG	6C	#6 Conductor
Length	6	6" / 152mm
	12	12" / 305mm
	18	18" / 457mm
Mounting Hole	14	1/4" Hardware
	516	5/16" Hardware
	38	3/8" Hardware

Catalog Number	AWG Size	Length	Mounting Hole Diameter	Hardware Equivalent
WEEB-RLJ6C6-14	#6	6" / 152mm	.27" / 6.8mm	1/4"
WEEB-RLJ6C12-14	#6	12" / 305mm	.27" / 6.8mm	1/4"
WEEB-RLJ6C18-14	#6	18" / 457mm	.27" / 6.8mm	1/4"
WEEB-RLJ6C6-516	#6	6" / 152mm	.33" / 8.4mm	5/16"
WEEB-RLJ6C12-516	#6	12" / 305mm	.33" / 8.4mm	5/16"
WEEB-RLJ6C18-516	#6	18" / 457mm	.33" / 8.4mm	5/16"
WEEB-RLJ6C6-38	#6	6" / 152mm	.39" / 9.9mm	3/8"
WEEB-RLJ6C12-38	#6	12" / 305mm	.39" / 9.9mm	3/8"
WEEB-RLJ6C18-38	#6	18" / 457mm	.39" / 9.9mm	3/8"

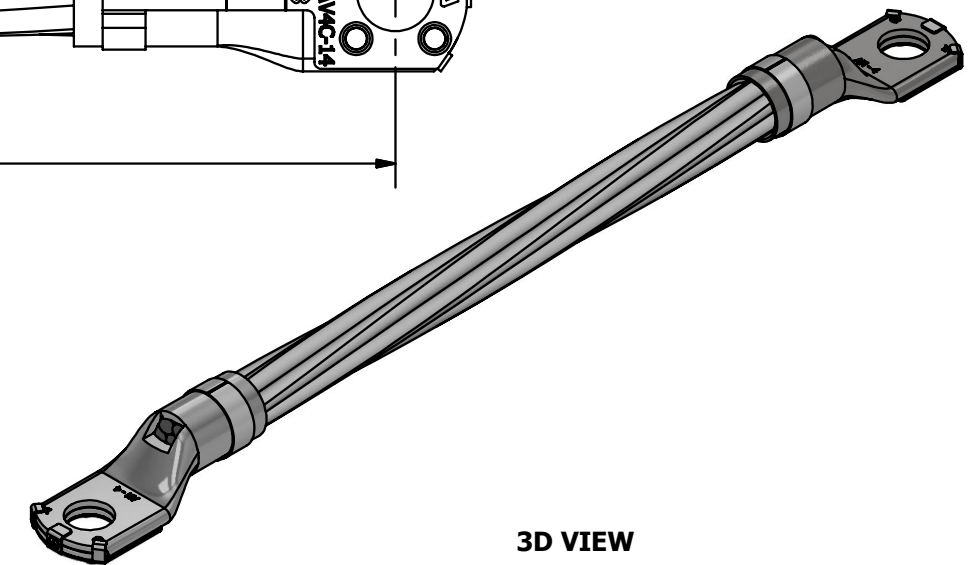
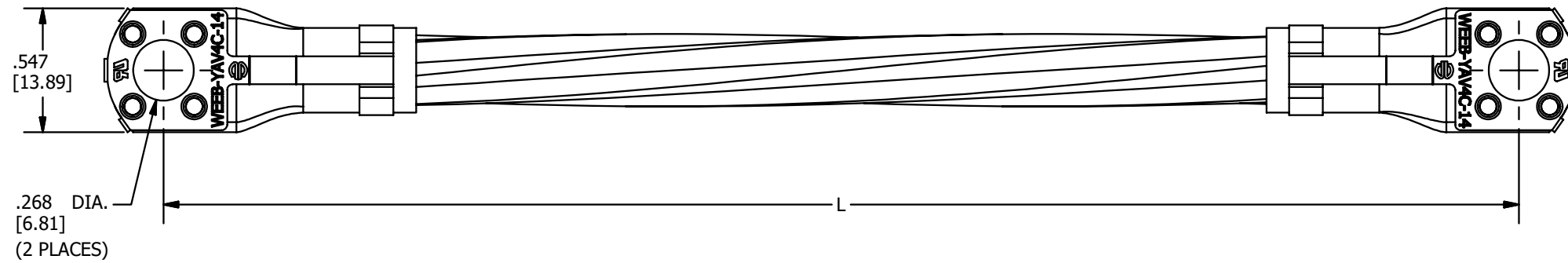
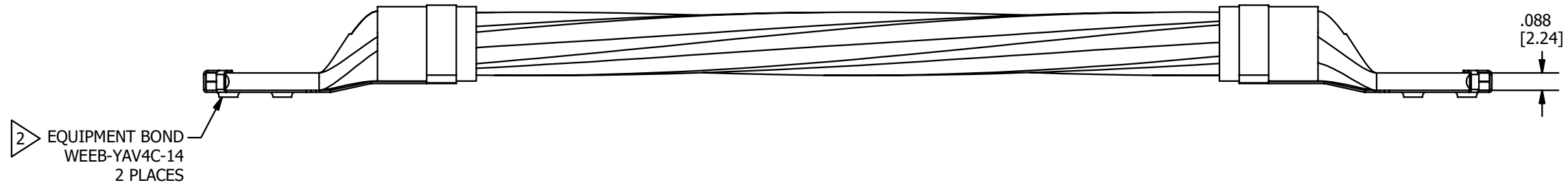
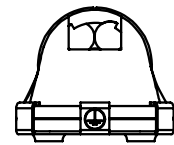
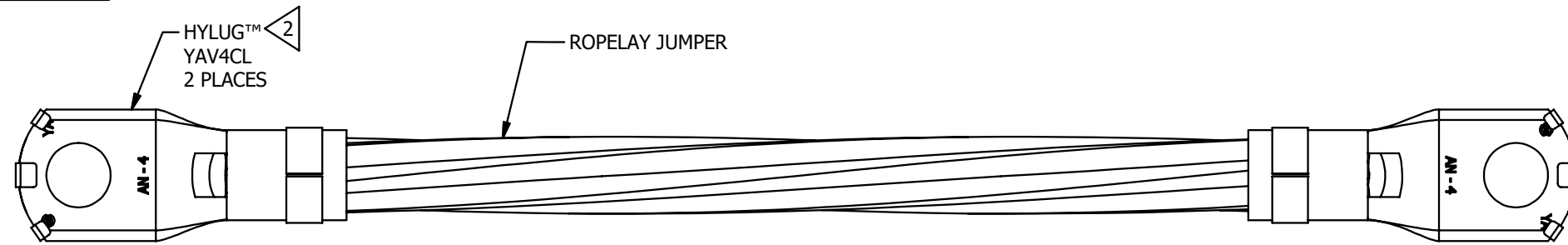


Customer Service 1-800-346-4175
 Technical Services 1-800-451-4956
www.burndy.com



WEEB-ROPELAY BONDING JUMPER (WEEB-RLJ6C--14)			
PT NO.	ITEM NUMBER	CATALOG NO.	LENGTH "L"
1	50091184	WEEB-RLJ6C6-14	6 (152.4)
2	50091191	WEEB-RLJ6C12-14	12 (304.8)
3	50091192	WEEB-RLJ6C18-14	18 (457.2)

REV	DATE	DESCRIPTION	ECO	BY	C'H.K.
A	10-06-2019	MOVE DRAWING TO PRODUCTION STATUS	51580	TM	SC



NOTES:

- MATERIAL:
 HYLUG: TIN PLATED COPPER
 WEEB WASHER: 304 STAINLESS STEEL
 ROPELAY JUMPER: TIN PLATED COPPER (6 AWG).

2. FACTORY INSTALLATION.

3. DIMENSIONS IN BRACKETS [] ARE IN MILLIMETERS ROUNDED OFF TO THE NEAREST MILLIMETER, UNLESS OTHERWISE SPECIFIED AND ARE FOR REFERENCE ONLY.

TO ORDER BURNDY PRODUCTS CALL
 UNITED STATES
 1-800-346-4175 (LONDONDERRY, NH)

CANADA:
 1-800-361-6975 (QUEBEC)
 1-800-387-6487 (ALL OTHER PROVINCES)

FOR PRODUCT INFO: <http://www.burndy.com>

WEEB-ROPELAY BONDING JUMPER			
ITEM NO: SEE TABLE			
CAT. NO: SEE TABLE			
DRAWN BY: M.THAMARAI	29-05-2018		
CHECKER: K.NAUGLER	23-09-2020		
DSN APRVL: E.MARTIN	25-09-2020		
MFG APRVL: C.BECERRIL	24-09-2020		
QA APRVL: E.VARGAS	24-09-2020		
MKT APRVL: --			
PROD FAM: WILEY	DRAWING NO	REV	
PROJECT #:	SIZE	50091198	A
DOCUMENT TYPE: SALES	B	SHEET 1 OF 1	
REL LEVEL: Released			