



The 216 with an external reflector



The 216 with wire guard

The 216 is compact wellglass ideal for areas where efficient localised lighting is required. The luminaire has a side mounted increased safety terminal chamber eliminating the need for flameproof glands.

The wide ambient temperature range makes the 216 suitable for extreme environmental conditions.

Standard Specification

Features

Type of Protection	Ex d e (Flameproof, Increased safety)
ATEX Classification	Group II Category 2 G
Area Classification	Zone 1 and Zone 2 areas to EN 60079-10-1 with installation to EN 60079-14 Gas Groups IIA and IIB
Certificate	EC Type Examination Certificate BAS01ATEX2307
Coding	⊕ II 2 G Ex d e IIB Refer to table for T rating and Ambient
Enclosure	Aluminium alloy LM6 to BS 1490 (AC44100) All fastenings A4 stainless steel Toughened glass dome globe
Reflector	High purity anodised aluminium
Entry	2 x M20 cable entries
Termination	3 core 6mm ² max. conductor with looping
Installation	Flush mounting bracket
Windage	0.084m ²
Control Gear	Internal copper/iron with PFC correction capacitor
Relamping	Access via front glass cover assembly
Burning Position	Universal
Ingress Protection	IP66/67 to EN 60529
Electrical Supply	220,230,240,254V 50Hz (H.I.D)

Installation to gas groups IIA and IIB

Highly resistant to mechanical damage and corrosion

Stainless steel fasteners

Compact and efficient

Ex e terminal chamber

Anchor chain on glass cover assembly

Suitable for use down to -30°C ambient

International Approvals

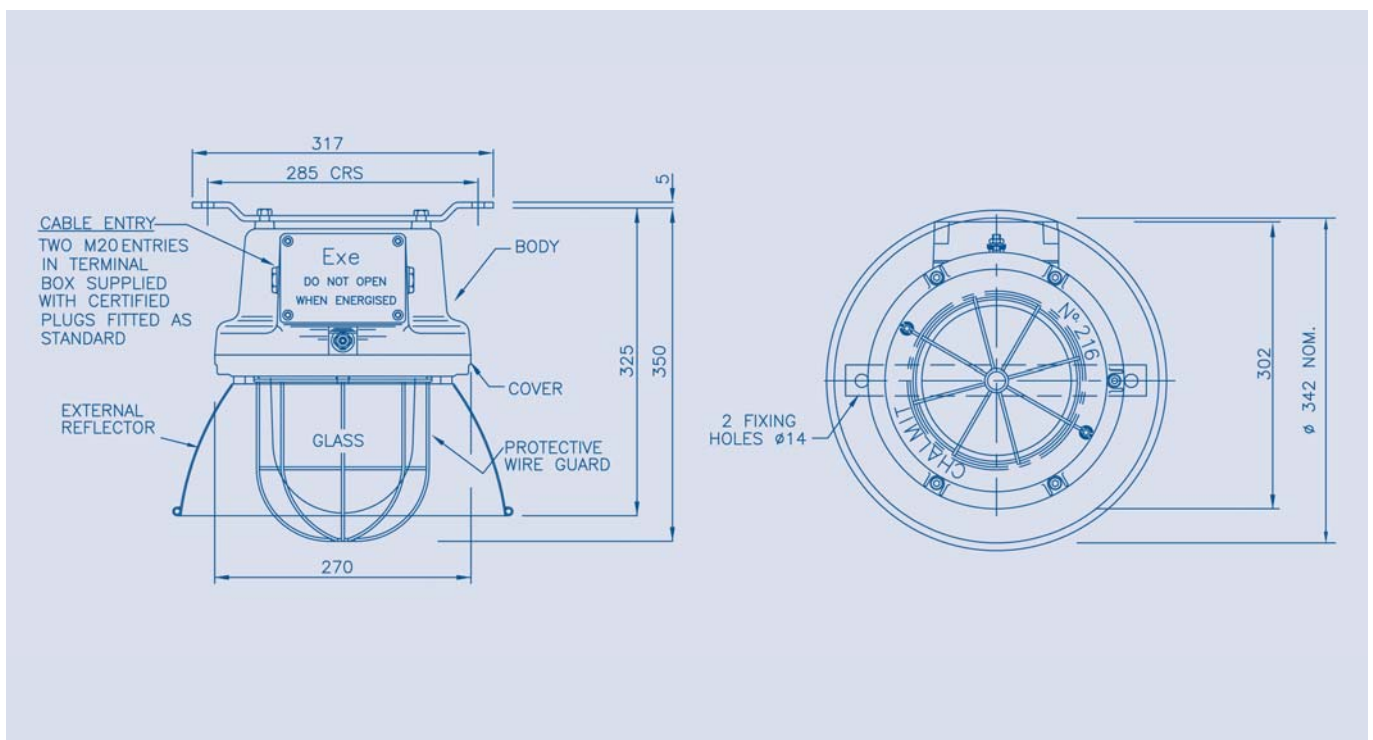
ATEX and GOST

Std. Cat No.	Wattage	Lamp	Lampholder	T Class	Ambient °C	Weight
216D/050/HS	50W	HPS	E27	T4	-30 to +50	9.5kg
216D/070/HS	70W	HPS	E27	T4	-30 to +45	10.0kg

Note: Please specify voltage at time of enquiry/order

Options – Suffix to Catalogue No.

/M25	M25 cable entries	/P	Marine grade polyester coating (RAL 7043)
/60	60Hz	/S	Stirrup mounting bracket



Accessories Should be ordered separately

Catalogue Order Code

Pole mounting bracket assembly - stirrup mounting version only (48-60mm diameter poles)	S2160-0002
Pole mounting bracket assembly c/w stirrup - retro fit for flush mounting bracket (48-60mm diameter poles)	S2160-0004
Wire guard	S2160-0007
External reflector	S2160-0010

Product design and specifications are subject to change without notice, please check the Chalmit website for latest specifications.