




The Lomond is a rugged, flameproof T8 fluorescent luminaire. It features an integrated mounting channel for universal installation. The aluminium and glass construction make the Lomond highly resistant to aggressive chemical agents.

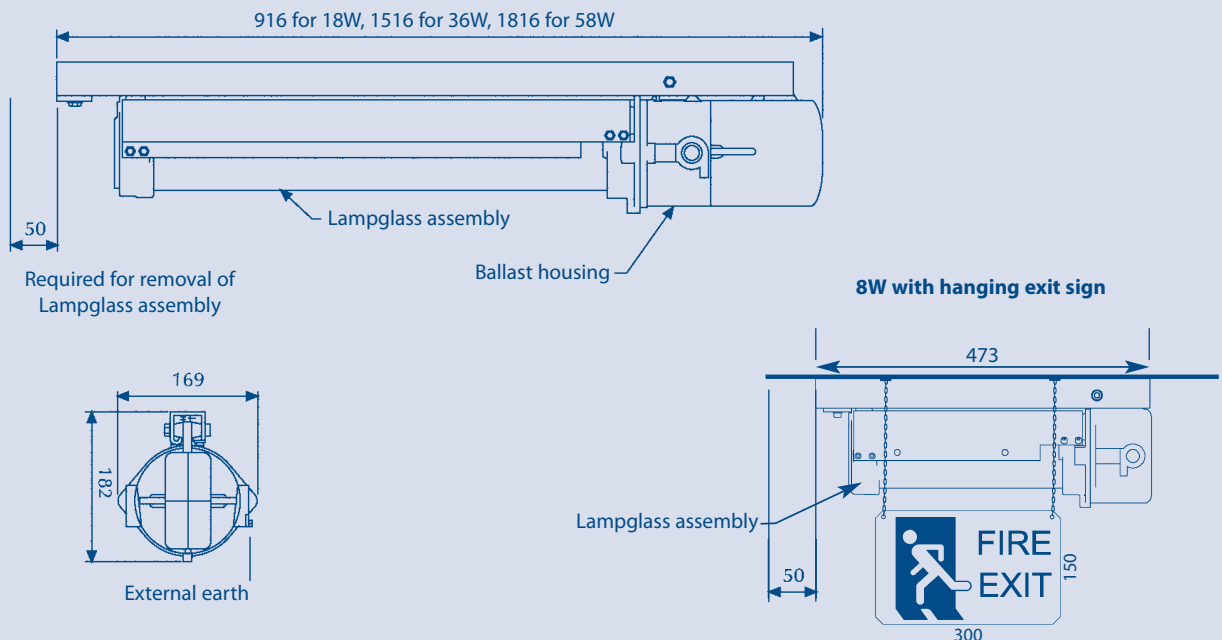
The luminaire is available in single and twin lamp versions including an eight watt version for over door emergency exit marking.

| Standard Specification | | Features |
|------------------------|---|--|
| Type of Protection | Ex d (flameproof), Ex dm (flameproof encapsulation) emergency version | Quick lamp start, flicker free |
| ATEX Classification | Group II Category 2 GD | High frequency electronic control gear |
| Area Classification | Zone 1 and 21 areas to EN 60079-10-1 and EN 60079-10-2 with installation to EN 60079-14 | Cool running improves T-rating |
| Certificate Coding | EC Type Examination Certificate SIRA05ATEX1299X ⊕ Ex II 2 GD Ex d IIC (8W & 18W) ⊕ Ex II 2 GD Ex d IIB (36W) | Standard support channel allows for multiple fixing centres and options |
| Enclosure | Aluminium alloy LM6 to BS 1490 (AC44100) | Suitable for high ambient areas |
| Reflector/Geartray | Borosilicate glass overtube, painted steel reflector | Optional Exit Sign Kit for Emergency Escape Route Lighting |
| Entry | 2 x M20 cable entries | |
| Termination | 3 core 4mm ² max. conductor with looping 4 core 4mm ² max connectors on emergency | |
| Installation | Via steel support rail | |
| Control Gear | High Frequency |  |
| Relamping | Two socket head screws and tapered spigotted flamepath | |
| Burning Position | Universal | International Approvals |
| Ingress Protection | Ingress protection to IP66, IP67 and IP68 | |
| Electrical Supply | Non Emergency: 220V - 240V 50/60Hz (8W) 120V - 254V 50/60Hz (18W) 110V - 130V 50/60Hz (36W - /120) 220V - 254V 50/60Hz (36W, 58W) Emergency: 220V - 254V 50/60Hz (18W, 36W, 58W) 110V - 130V 50/60Hz (18W, 36W - /120) | ATEX and GOST |
| Emergency Duration | 3 hours | |

| Std. Cat No. | Wattage | Lamp | TClass | T°C (Dust) | Ambient °C | Weight |
|----------------|---------|------|--------|------------|------------|--------|
| LOMD/108/BI | 1x8W | T5 | T6 | 85 | -20 to +55 | 5.0kg |
| LOMD/208/BI | 2x8W | T5 | T6 | 85 | -20 to +55 | 5.5kg |
| LOMD/218/BI | 2x18W | T8 | T6 | 85 | -20 to +55 | 9.0kg |
| LOMD/136/BI | 1x36W | T8 | T6 | 85 | -20 to +53 | 13.0kg |
| | | T8 | T5 | 100 | -20 to +55 | |
| LOMD/236/BI | 2x36W | T8 | T6 | 85 | -20 to +53 | 13.0kg |
| | | T8 | T5 | 100 | -20 to +55 | |
| LOMD/158/BI | 1x58W | T8 | T6 | 85 | -22 to +49 | 15.0kg |
| | | T8 | T5 | 100 | -22 to +55 | |
| LOMD/258/BI | 2x58W | T8 | T6 | 85 | -20 to +49 | 15.0kg |
| | | T8 | T5 | 100 | -20 to +55 | |
| LOMD/108/BI/EM | 1x8W | T5 | T6 | 85 | -20 to +55 | 10.5kg |
| LOMD/218/BI/EM | 2x18W | T8 | T6 | 85 | -20 to +55 | 13.5kg |
| LOMD/236/BI/EM | 2x36W | T8 | T5 | 100 | -20 to +52 | 20.0kg |
| | | T8 | T6 | 85 | -20 to +55 | |
| LOMD/258/BI/EM | 2x58W | T8 | T5 | 100 | -20 to +48 | 22.3kg |

Options – Suffix to Catalogue No.

| | | | |
|------|------------------------------|------|---|
| /M25 | M25 cable entries | /IIC | Suitable for IIC gas areas (8W and 18W only) |
| /SR | Stainless steel support rail | /120 | 110 - 130V supply |
| /NM | Non maintained (1x8W only) | | |



Accessories Should be ordered separately

Catalogue Order Code

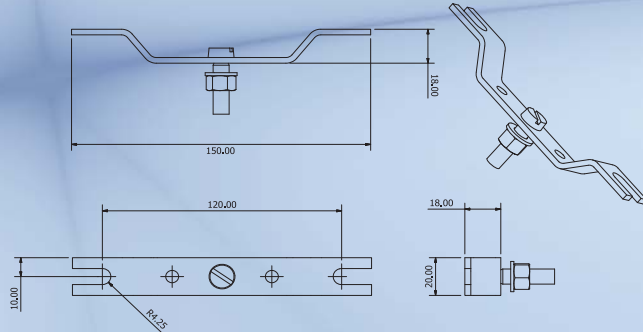
For details of accessories please see overleaf

Product design and specifications are subject to change without notice, please check the Chalmit® website for latest specifications.



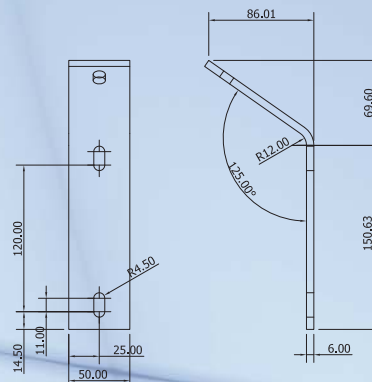
Ceiling Mounting Bracket Assembly

Cat No. SLOMD-000001



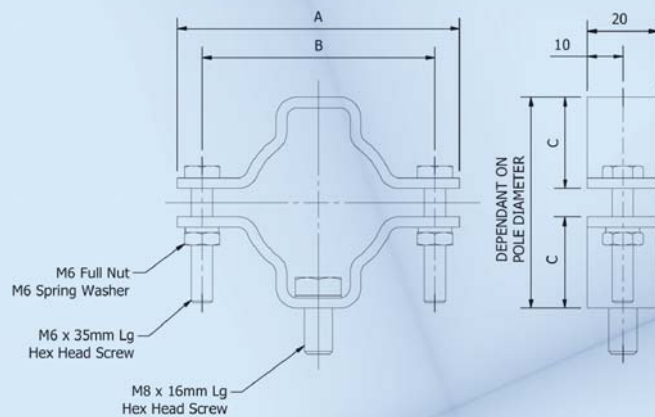
Wall Mounting Bracket Assembly

Cat No. SLOMD-000003



Pole Mounting Bracket Assembly

Cat No. SPOL4-100007/100008/100009

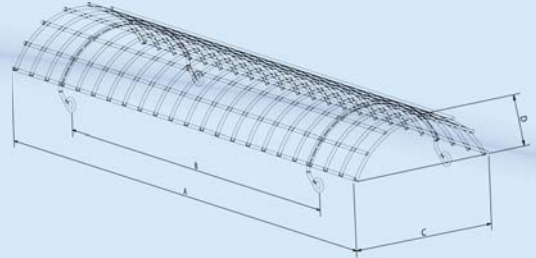
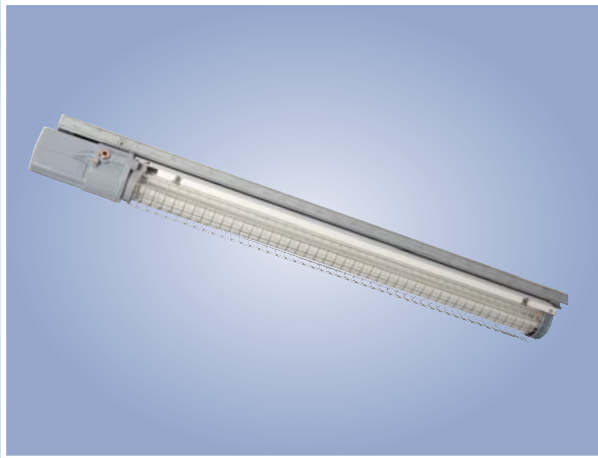


Pole mounting bracket to suit pole diameter
 (38-42mm) SPOL4-100007
 (48-52mm) SPOL4-100008
 (58-62mm) SPOL4-100009

| PART DETAILS | | | | |
|--------------|-------------------------|------|------|------|
| Part Code | Part Description | A | B | C |
| SPOL4-100007 | POLE MTG 38-42 P/M ASSY | 80mm | 66mm | 26mm |
| SPOL4-100008 | POLE MTG 48-52 P/M ASSY | 90mm | 76mm | 32mm |
| SPOL4-100009 | POLE MTG 58-62 P/M ASSY | 96mm | 80mm | 38mm |

S/S Wire Guard

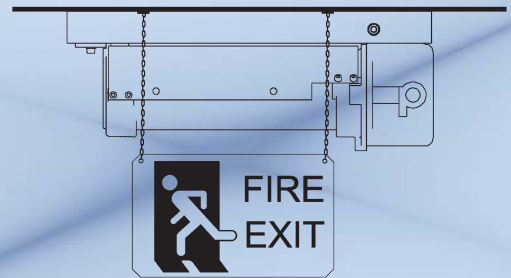
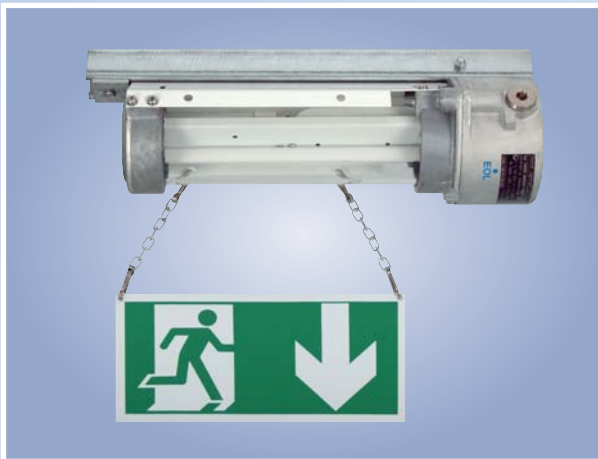
Cat No. SLOMD-000037/000038/000039/000040



| Fitting Length | Dimension Table | | | |
|----------------|-----------------|-------|-------|-------|
| | Dim A | Dim B | Dim C | Dim D |
| 8W (1ft) | 282 | 152 | 146 | 68 |
| 18W (2ft) | 562 | 406 | 146 | 68 |
| 36W (4ft) | 1171 | 991 | 146 | 68 |
| 58W (5ft) | 1476 | 1295 | 146 | 68 |

Hanging Exit Sign

Cat No. SPATE-00005/00006/00007/00008/00009



Self Adhesive Exit Sign Kit

Cat No. SPATE-00012

