



The Protecta is a proven and reliable T8 fluorescent luminaire. The Protecta's rugged, corrosion resistant construction (IP66/IP67) combined with an advanced high frequency ballast ensure minimum product maintenance is required.

When access is required the Protecta Industrial features an easy access clamp bar and automatic lamp de-energisation to allow quick and easy re-lamping.

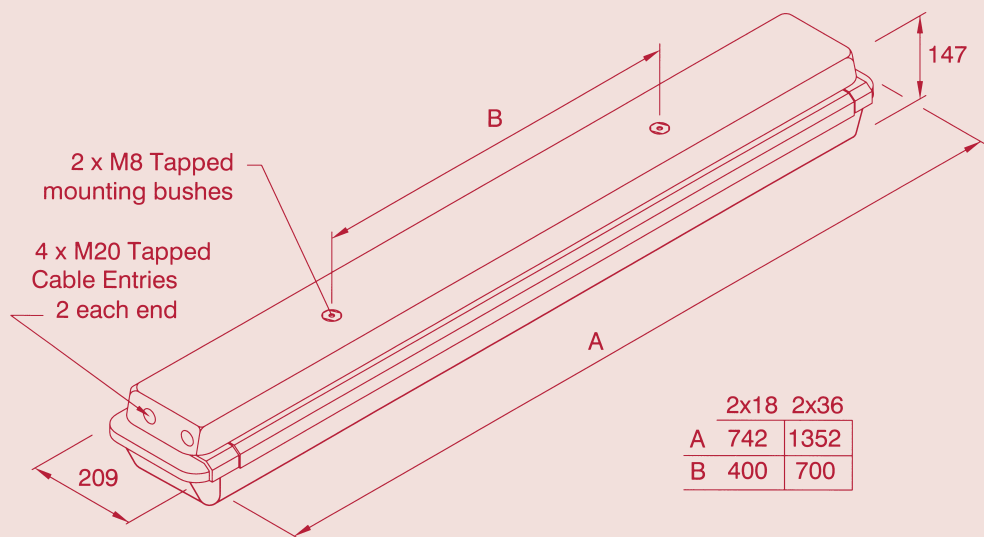
| Standard Specification |   | Features  |
|------------------------|---|---|
| Ingress Protection     | IP66/67 to EN60529  | Simple rugged construction  |
| Enclosure              | GRP body with clear polycarbonate diffuser and brass suspension points  | Full length easy access diffuser clamp  |
|                        |   | Hinged cover  |
| Entries                | 4 x M20 cable entries (2 each end)  | Standard fixing centres   |
| Termination            | Quick release mains terminals - 3 core 4mm <sup>2</sup> max. conductor with looping and 16A rating through wiring. (6mm <sup>2</sup> terminations available - /SC option) | When fitted high frequency control gear gives 50/60Hz operation, high power factor correction and regulation of lamp output |
|                        |   | Quick release mains terminals   |
| Reflector/Gear-tray    | White polyester painted zinc coated steel   | DTS-01 deluge tested  |
| Mounting               | 2 x M8 tapped Stainless steel moulded inserts located on the rear of the body   | Vibration tested to comply with Lloyds/DNV  |
| Control Gear           | High Frequency electronic control gear  | IK10 Impact Protection  |
| Relamping              | Via quick-release diffuser clamp and hinged diffuser  |   |
| Electrical Supply      | 110-254V 50/60Hz  |   |



| Std. Cat No.          | Wattage | Lamp Type      | Lampholder | Ambient°C  | Weight |
|-----------------------|---------|----------------|------------|------------|--------|
| <b>PRGI/118/BI/HF</b> | 1x18W   | T8 Fluorescent | G13        | -20 to +55 | 6.0kg  |
| <b>PRGI/218/BI/HF</b> | 2x18W   | T8 Fluorescent | G13        | -20 to +55 | 6.1kg  |
| <b>PRGI/136/BI/HF</b> | 1x36W   | T8 Fluorescent | G13        | -20 to +55 | 9.6kg  |
| <b>PRGI/236/BI/HF</b> | 2x36W   | T8 Fluorescent | G13        | -20 to +55 | 9.8kg  |

### Options – Suffix to Catalogue No.

|            |   |             |   |
|------------|---|-------------|---|
| <b>/EL</b> | Extra live termination (compatible with 4 core switched emergency models) | <b>/3P</b>  | 3 phase termination facility (not available if looping is required)   |
| <b>/MF</b> | Mains fuse  | <b>/M25</b> | M25 cable entry   |
|            |   | <b>/SC</b>  | Screwed connection terminal block (up to 6mm <sup>2</sup> conductors) |
|            |   | <b>/SE</b>  | Spigot entry  |



Accessories Should be ordered separately

Catalogue Order Code

|  |                     |
|--|---------------------|
| Pole mounting bracket assembly (38-42mm diameter poles)    | <b>SPOL4-100001</b> |
| Pole mounting bracket assembly (48-52mm diameter poles)    | <b>SPOL4-100002</b> |
| Pole mounting bracket assembly (58-62mm diameter poles)    | <b>SPOL4-100003</b> |
| Hook type ceiling bracket assembly                         | <b>SPRO4-0005</b>   |
| Ceiling bracket assembly                                   | <b>SPRO4-0002</b>   |
| Flush mounting wall bracket assembly                       | <b>SPRO4-0006</b>   |
| Eyebolt mounting assembly                                  | <b>SPRO5-0005</b>   |
| Looping Kit (allows looping from both ends of luminaire)   | <b>SPROT-0021</b>   |
| 18W wall mounting outreach bracket (use with SPOL4-100001) | <b>NPRO4-0008</b>   |
| 36W wall mounting outreach bracket (use with SPOL4-100001) | <b>NPRO4-0012</b>   |

Product design and specifications are subject to change without notice, please check the Chalmit® website for latest specifications.

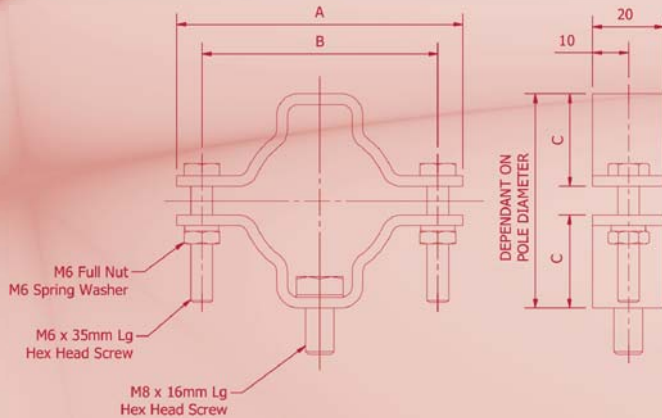


## Pole Mounting Bracket Assembly

Cat No. SPOL4-100001/100002/100003



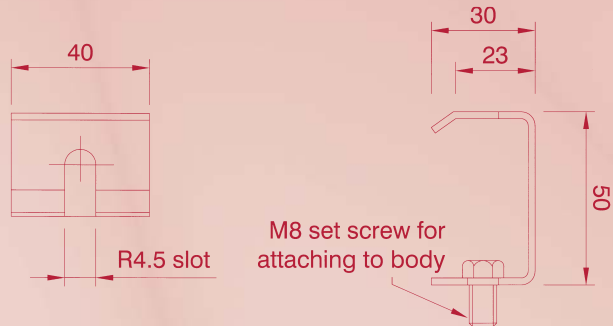
Pole mounting bracket to suit pole diameter  
 (38-42mm) SPOL4-100001  
 (48-52mm) SPOL4-100002  
 (58-62mm) SPOL4-100003



| PART DETAILS |                         |      |      |      |
|--------------|-------------------------|------|------|------|
| Part Code    | Part Description        | A    | B    | C    |
| SPOL4-100001 | PROTECTA 38-42 P/M ASSY | 80mm | 66mm | 26mm |
| SPOL4-100002 | PROTECTA 48-52 P/M ASSY | 90mm | 76mm | 32mm |
| SPOL4-100003 | PROTECTA 58-62 P/M ASSY | 96mm | 80mm | 38mm |

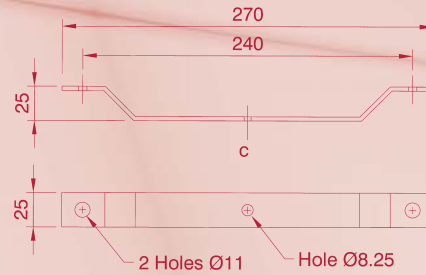
## Hook Type Ceiling Bracket Assembly

Cat No. SPRO4-0005



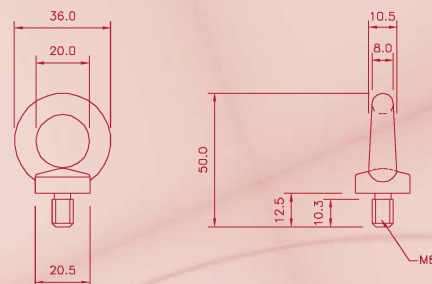
## Ceiling Mounting Bracket Assembly

Cat No. SPRO4-0002



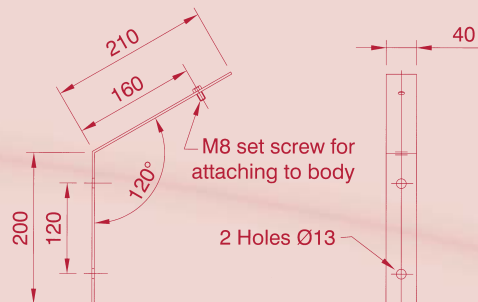
## Eyelet Mounting Assembly

Cat No. SPRO5-0005



## Flush Mounting Wall Bracket Assembly

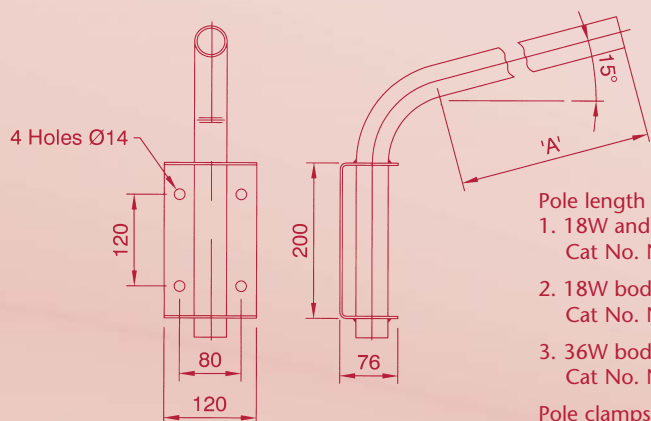
Cat No. SPRO4-0006



Note: All brackets are made from 316 Stainless Steel

## Wall Mounting Outreach Bracket

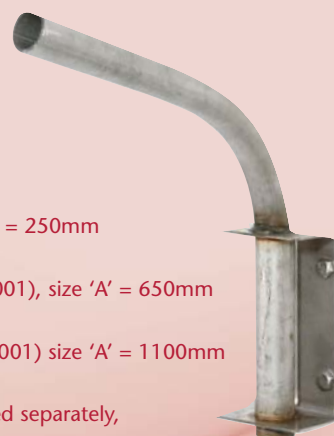
Cat No. NPRO4-0007/0008/0012



Pole length 'A' for use with the following:

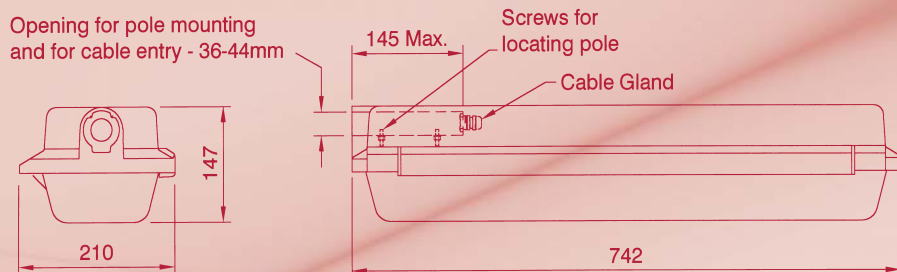
1. 18W and 36W spigot entry body, size 'A' = 250mm  
Cat No. NPRO4-0007
2. 18W body c/w pole clamps (SPOL4-100001), size 'A' = 650mm  
Cat No. NPRO4-0008
3. 36W body c/w pole clamps, (SPOL4-100001) size 'A' = 1100mm  
Cat No. NPRO4-0012

Pole clamps for items 2 & 3 must be ordered separately, see SPOL4-100001



## 18W Spigot Entry

Cat No. PRGE/218/B/SE



## 36W Spigot Entry

Cat No. PRGE/236/B/SE

