

FLOODLIGHT VL100



Ex nA, Ex nR version
(requires /TC suffix)

FEATURES AND BENEFITS

Compact light weight design • Integral control gear • Hinged lid assembly for easy re-lamping • Range of lamp options

CERTIFICATION & APPROVALS

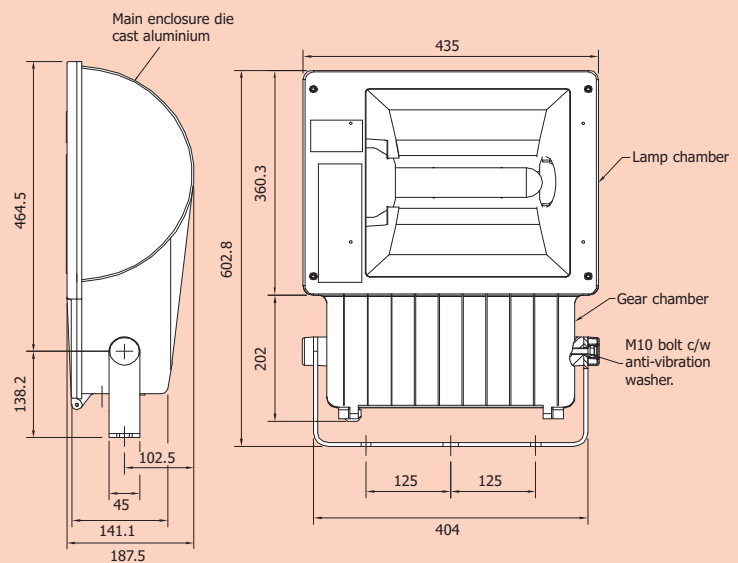
IECEX Certificate SIR 11.0118
ATEX Certificate SIRA 00ATEX4117

Ex nR IIC Gc IP66/67
Ex nA,nR IIC T3 Gc IP66
Ex tc IIIC T200°C Dc

Ambient temperature range:
-30°C to +50°C

TIS Approved

STANDARD DIMENSIONS



Dimensions in millimetres

ORDERING REFERENCE

Std. Cat Ref.	Wattage	Lamp Type	Lampholder	T Class	T °C(Dust)	Ambient °C
V10N/150/MS	150W	HPS/Metal Halide	E40	T3	200	-30°C to +50°C
V10N/250/MS	250W	HPS/Metal Halide	E40	T3	200	-30°C to +50°C
V10N/250/MV	250W	Mercury Vapour	E40	T3	200	-30°C to +50°C
V10N/400/MS	400W	HPS/Metal Halide	E40	T3	200	-30°C to +50°C
V10N/400/MV	400W	Mercury Vapour	E40	T3	200	-30°C to +50°C
V10N/500/TH	500W	Tungsten Halogen	E40	T3	200	-30°C to +50°C

TECHNICAL SPECIFICATION

LAMP TYPES

SON - 150W Tubular
 SON and MBI - 250W Tubular
 SON and MBI - 400W Tubular
 Tungsten Halogen - 500W Max

POWER SUPPLY

220V, 230V, 240V and 250V 50/60Hz
 250V Max for halogen & GLS

POWER FACTOR

Greater than 0.85

TERMINALS

3 core up to 4 mm² conductors with looping. Terminals for live constant, neutral & earth are provided. Internally earthed.

CABLE ENTRIES

2 x M20 cable entries supplied with 1 x transit plug and 1 x Ex blanking plug.

Cable entry devices (i.e. glands) must maintain both the restricted breathing properties and the IP rating of the luminaire.

MATERIALS

Main body LM6 aluminium alloy, MN332L Interpon
 610 black semi gloss textured finish.
Lampglass Toughened glass.

WEIGHT

400W SON Lamps - 16Kg

SUSPENSION

Galvanised steel stirrup bracket with protractor for elevation angle setting.

OPTIONS - SUFFIX TO CATALOGUE REF.

/60	60Hz
/M	Medium beam reflector
/TC	Ex nA, ExnR version with external terminal chamber
/SAF	Slipfitter pole mount bracket - up to 79.5mm (use with 4024-C BKT)

ACCESSORIES

Pole mount bracket
 SV 10N-00005

Slipfitter pole mount bracket
 4024-C BKT (order with /SAF suffix on partcode)

Spigot mount bracket
 SV 10N-00004