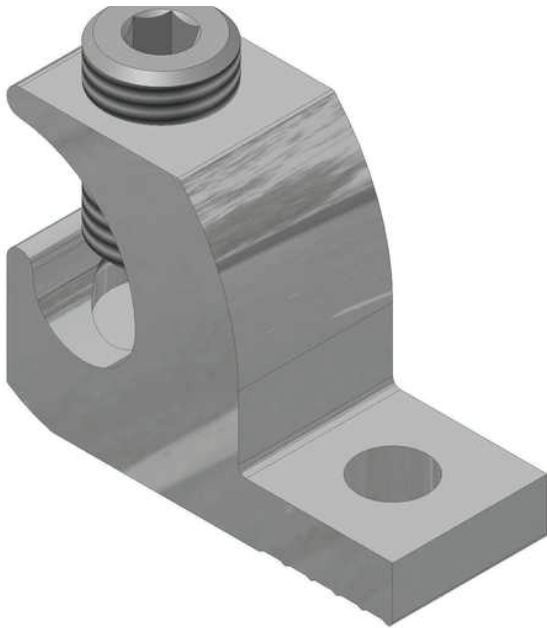


# CL-200S

by CMC  
Catalog ID: CL-200S

Copper Lay-in Lug 3/0-6 AWG and 0.33 inch stud size. CMC® CL ground connectors are manufactured from high strength pure electrolytic copper to insure both maximum strength and conductivity. Plain finished. Designed for use on conduit grounding bushings. Open faced design allows installer to quickly lay-in the grounding conductor as a jumper to multiple conduits with no break in ground conductor. Connectors are UL approved for direct burial and rated for 90° C (486B Listed).



## Product Details

### General

|          |              |
|----------|--------------|
| Material | Copper       |
| UPC      | 192663024537 |

### Dimensions

|                            |                         |
|----------------------------|-------------------------|
| Dimension - Stud Size inch | 0.33 in                 |
| Dimensions                 | 2 in x 0.8 in x 1.56 in |
| Height                     | 1.56 in                 |
| Length                     | 2 in                    |
| Width                      | 0.8 in                  |

### Conductor Related

|                                   |           |
|-----------------------------------|-----------|
| Conductor - Copper Str Size Range | 3/0-6 AWG |
|-----------------------------------|-----------|