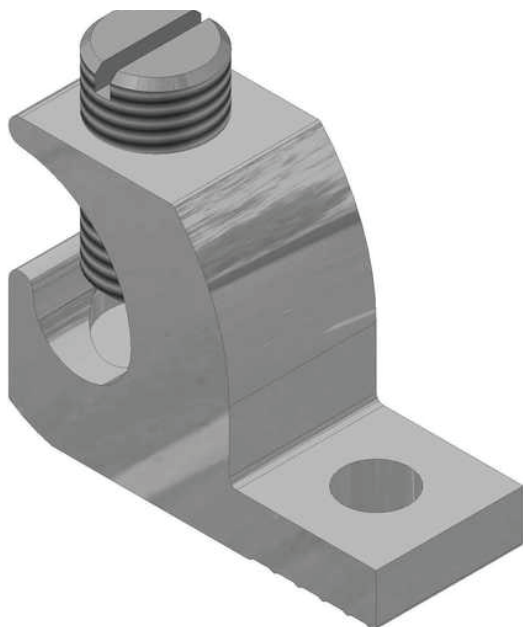


CL-50S

by CMC
Catalog ID: CL-50S



Copper Lay-in Lug with 4-14 AWG wire range and 0.22 inch stud size. CMC® CL ground connectors are manufactured from high strength pure electrolytic copper to insure both maximum strength and conductivity. Plain finished. Designed for use on conduit grounding bushings. Open faced design allows installer to quickly lay-in the grounding conductor as a jumper to multiple conduits with no break in ground conductor. Connectors are UL approved for direct burial and rated for 90° C (486B Listed).

Product Details

General

Material	Copper
UPC	192663024513

Dimensions

Dimension - Stud Size inch	0.22 in
Dimensions	1.07 in x 0.38 in x 0.78 in
Height	0.78 in
Length	1.07 in
Width	0.38 in

Conductor Related

Conductor - Copper Str Size Range	4-14 AWG
-----------------------------------	----------