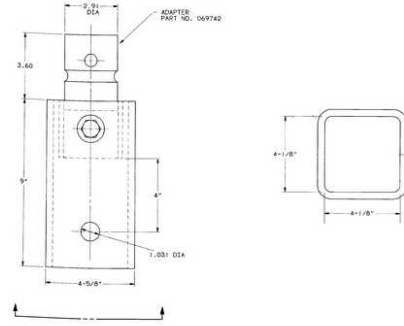




# Hi-Ranger Jib Adapter

By Chance Lineman Tools & Equipment  
Catalog # [T4001932](#)

JIB ADAPTER HI RANGER 4.125 TO ROUND



\*Representative Image

## General

UPC 096359058809

## Dimensions

Dimensions	14 in x 7.63 in x 6.25 in
Height	6.25 in
Length	14 in
Length Metric	35.6 mm
Weight	25 lb
WeightMetric	11.3 kg
Width	7.63 in

## Product Assets

[Catalogs - Conductor Support Equipment \(2200\)](#)  
[Catalogs - Truck Accessories \(4150\)](#)

## Related Products

[T4001856 - Auxiliary Arm with Jib Adapter for 3"-diameter mast No Braces Required](#)  
[C4000747 - Wire Holder W/ 2.5" Roller, W/ Swivel Ferrule](#)  
[T4001857 - Auxiliary Arm with Jib Adapter for 3"-diameter mast No Braces Required](#)  
[C4000746 - Rope Sheave Tool for 3 Phase Lift Mast](#)



A proud member of the Hubbell Family.

©2024 Hubbell Incorporated. All rights reserved.  
CLTE-T4001932-SPEC-EN | REV 1/2024