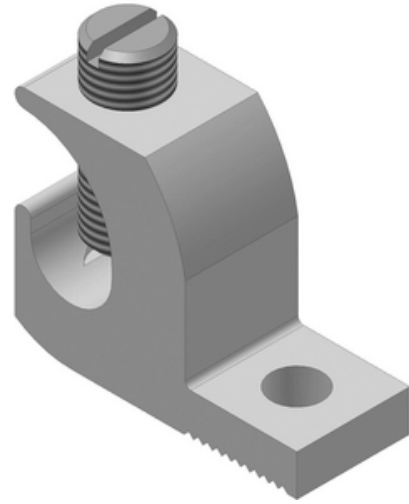


Aluminum Lay-in Lug, 1/0-14 AWG, 0.27" Stud Size, Tin Plated.

By Connector Mfg. Co. (CMC)

Catalog # [LI-112S](#)

Aluminum Lay-in Lug, 1/0-14 AWG, 0.27" Stud Size, Tin Plated. CMC® LI-S ground connectors are manufactured from high strength 6061-T6 aluminum alloy to insure both maximum strength and conductivity. They are dual rated for both copper and aluminum conductors and are electro tin plated to provide low contact resistance and protection against corrosion. They are designed for use on conduit grounding bushings. The open-faced design allows the installer to quickly lay-in the grounding conductor as a jumper to multiple conduits with no break in the ground conductor. 90° C Rated (486B Listed). UL listed and CSA certified.



General

Catalog Number	LI-112S
Material	Aluminum
UPC	192663017935

Dimensions

Dimensions	1.5 in x 0.6 in x 1.17 in
Height	1.17 in
Length	1.5 in
Width	0.6 in

Conductor Related

Conductor - Copper Str Size Range	1/0-14 AWG
-----------------------------------	------------

Product Assets

[Sales Drawings - C00494026-S](#)