

DATE: _____ LOCATION: _____
 TYPE: _____ PROJECT: _____
 CATALOG #: _____

CTK

LED TROFFER RETROFIT KIT

tradeSELECT®

FEATURES

- LED architectural retrofit for existing prismatic or parabolic troffers
- Integrated assembly allows for easy installation
- 2x2 and 2x4
- 80 CRI
- 0–10V dimming to 10%
- High efficiency UV stabilized polycarbonate frosted lens provides high performance without pixelation



SPECIFICATIONS

CONSTRUCTION

- Retrofit kit reflectors, ends, frame, and rails are manufactured from die formed code gauge cold rolled steel
- All reflective surfaces are finished after fabrication with high reflectivity matte white paint for soft, uniform indirect illumination

OPTICS

- UV stabilized polycarbonate frosted lens provides performance without pixelation

INSTALLATION

- Mounting rails and hardware are furnished with each luminaire for easy installation

INSTALLATION (CONTINUED)

- Minimum dimensional requirements are listed on page 2. Columbia Lighting recommends a trial installation prior to ordering project quantities
- This product not suitable for air handling units
- Refer to installation instructions for details

ELECTRICAL

- 54,000 hour LEDs at L70 for reduced maintenance
- Operates at 120–277V input
- 0–10V dimmable driver, down to 10%

CERTIFICATIONS

- All luminaires are built to UL 1598 standards and bear appropriate cULus labels
- Damp location label standard
- Adheres to LM79, LM80, and TM21 industry standards for photometrics and lifetime calculations
- DLC® (DesignLights Consortium) Qualified, with some Premium Qualified configurations. Please refer to the DLC website for specific product qualifications at www.designlights.org

WARRANTY

- 5 year warranty
- See [HLI Standard Warranty](#) for additional information

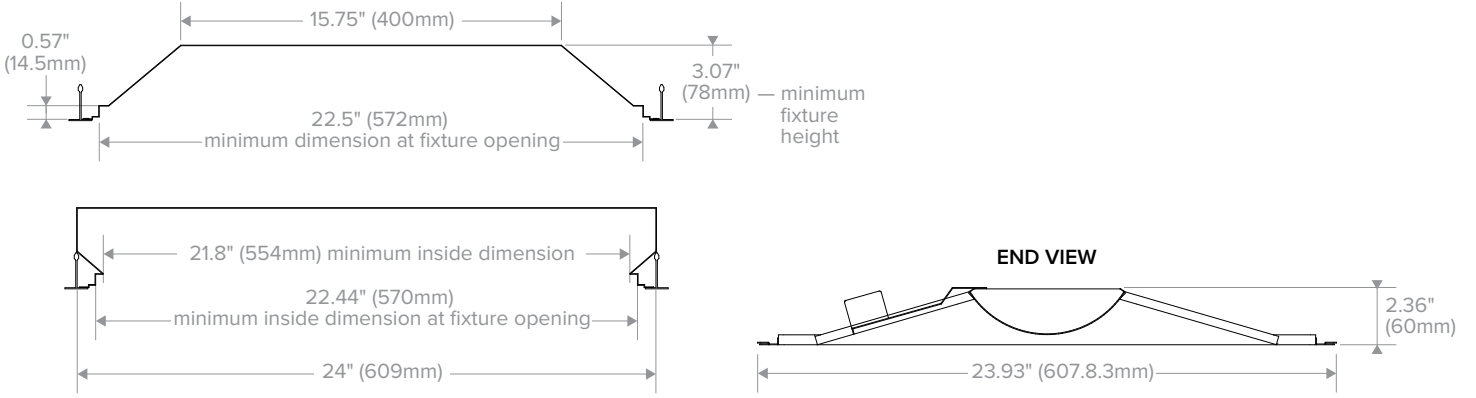
ORDERING GUIDE

| Catalog Number | UPC | Description | Delivered Lumens | Watts | LPW |
|----------------|--------------|--------------------------------------|------------------|-------|-----|
| CTK22-4035 | 840141400105 | 2x2 Retrofit Kit, 4000 Lumens, 3500K | 4057 | 32 | 126 |
| CTK22-4040 | 840141400112 | 2x2 Retrofit Kit, 4000 Lumens, 4000K | 4120 | 32 | 128 |
| CTK22-3335 | 840141400129 | 2x2 Retrofit Kit, 3300 Lumens, 3500K | 3093 | 25 | 126 |
| CTK22-3340 | 840141400136 | 2x2 Retrofit Kit, 3300 Lumens, 4000K | 3124 | 25 | 127 |
| CTK22-2835 | 840141400143 | 2x2 Retrofit Kit, 2800 Lumens, 3500K | 2644 | 21 | 124 |
| CTK22-2840 | 840141400150 | 2x2 Retrofit Kit, 2800 Lumens, 4000K | 2683 | 21 | 127 |
| CTK24-4435 | 840141400167 | 2x4 Retrofit Kit, 4400 Lumens, 3500K | 4452 | 35 | 127 |
| CTK24-4440 | 840141400174 | 2x4 Retrofit Kit, 4400 Lumens, 4000K | 4536 | 35 | 129 |
| CTK24-3535 | 840141400181 | 2x4 Retrofit Kit, 3500 Lumens, 3500K | 3578 | 28 | 126 |
| CTK24-3540 | 840141400198 | 2x4 Retrofit Kit, 3500 Lumens, 4000K | 3569 | 28 | 127 |
| CTK24-2535 | 840141400204 | 2x4 Retrofit Kit, 2500 Lumens, 3500K | 2551 | 20 | 128 |
| CTK24-2540 | 840141400211 | 2x4 Retrofit Kit, 2500 Lumens, 4000K | 2583 | 20 | 130 |

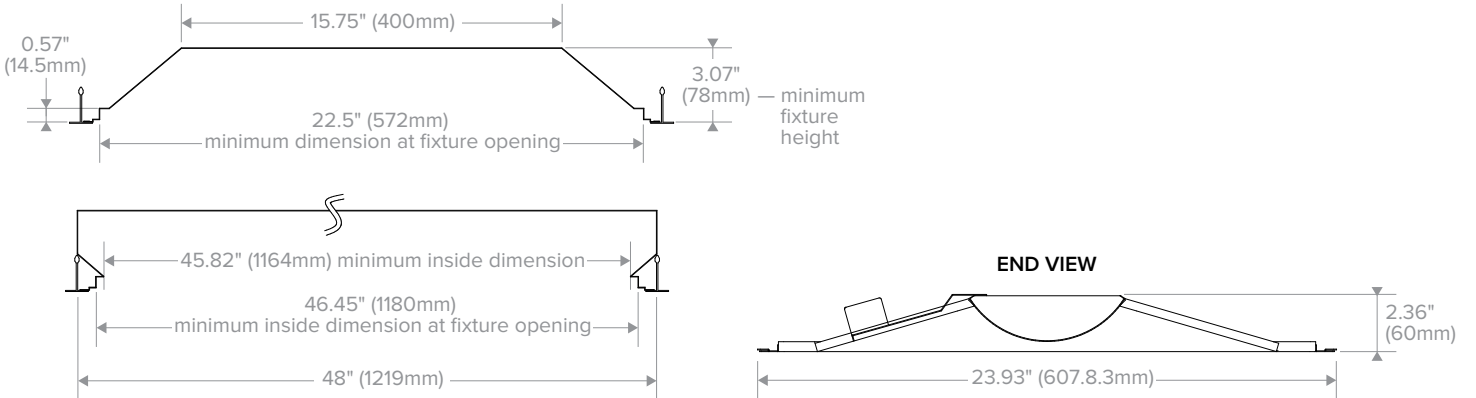
| KEY DATA | |
|-----------------------|------------|
| Lumen Range | 2551–4536 |
| Wattage Range | 20–35 |
| Efficacy Range (LPW) | 124–130 |
| Reported Life (Hours) | L70/54,000 |

MINIMUM HOST FIXTURE DIMENSIONS

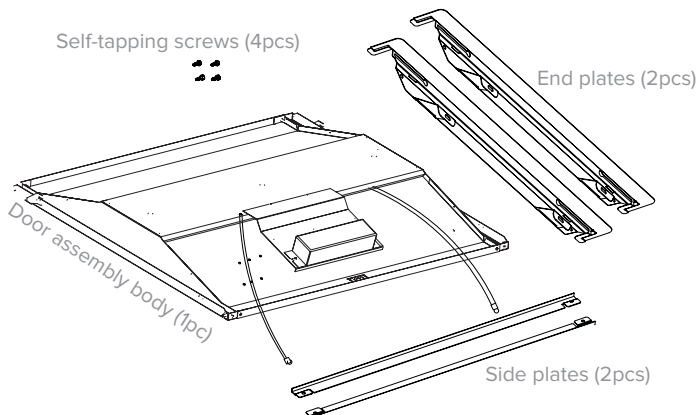
2'X2'



2'X4'



INCLUDED PARTS



Note: Besides length differences, included parts on the 2x2 and 2x4 are the same.

PHOTOMETRY

CTK22-4035

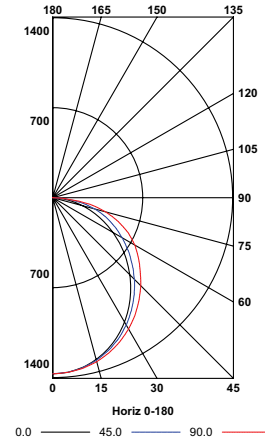
LUMINAIRE DATA

| | |
|-------------------|-------------------------------------|
| Test No. | CTK22-4035 |
| Description | CTK Troffer Retrofit Kit 2x2 4000lm |
| Delivered Lumens | 4060 |
| Watts | 32.23 |
| Efficacy | 126 |
| Mounting | Recessed |
| Spacing Criterion | 0° = 1.21 90° = 1.28 |

ZONAL LUMEN SUMMARY

| Zone | Lumens | % Luminaire |
|-------|--------|-------------|
| 0-30 | 1057 | 26.0 |
| 0-40 | 1727 | 42.5 |
| 0-60 | 3068 | 75.6 |
| 0-90 | 4058 | 100.0 |
| 0-180 | 4060 | 100.0 |

POLAR GRAPH



CTK24-4435

LUMINAIRE DATA

| | |
|-------------------|-------------------------------------|
| Test No. | CTK24-4435 |
| Description | CTK Troffer Retrofit Kit 2x4 4400lm |
| Delivered Lumens | 4454 |
| Watts | 35.16 |
| Efficacy | 127 |
| Mounting | Recessed |
| Spacing Criterion | 0° = 1.22 90° = 1.27 |

ZONAL LUMEN SUMMARY

| Zone | Lumens | % Luminaire |
|-------|--------|-------------|
| 0-30 | 1148 | 25.8 |
| 0-40 | 1876 | 42.1 |
| 0-60 | 3338 | 74.9 |
| 0-90 | 4454 | 100.0 |
| 0-180 | 4454 | 100.0 |

POLAR GRAPH

