

DATE:	LOCATION:
TYPE:	PROJECT:
CATALOG #:	

**FEATURES**

- Efficiently lights any large interior space such as heavy industrial settings, warehouses, gyms, churches, swimming pools/natorium and shopping malls
- High performance LED design delivering up to 100 lumens per watt
- IP65/66 rated
- UL Sanitation Certified per NSF Standards
- Ambient Temperature range from -40°C to 55°C
- Three distinct distributions: aisle, narrow and wide



**RELATED PRODUCTS**

- Ø [UTB2](#)
- Ø [HBLH](#)

**SPECIFICATIONS**

**CONSTRUCTION**

- LED count ranges from 72 to 60 to 48 and all three LED counts are driven at 700 mA
- Ambient limited to 35°C for Ceiling Mount (X) option
- Fixture weight: 29 lbs. Shipped weight: 33 lbs.

**OPTICS**

- Custom engineered LED optics providing optimally controlled and evenly distributed light
- Sealed optic for long life and durability
- 70 CRI

**ELECTRICAL**

- High output LEDs
- 60,000 hours, long life at L70
- Surge protection is included standard
- Circuit Loading Information
- 1.50 amps @ 120v 60 Hz
- 0.75 amps @ 240v 60 Hz
- 0.65 amps @ 277v 60 Hz
- Power factor greater than 0.90
- Standard 0–10V dimmable drivers
- FCC 47CFR Part 15 Class B Compliant
- 48 LED units @ -40°C TO 55°C
- 60 LED units @ -40°C TO 50°C
- 72 LED units @ -40°C TO 45°C

**CONTROLS**

- Dimming control sensor for occupancy and ambient light level detection

**CERTIFICATIONS**

- CSA tested to UL 1598 Wet Location, IP65
- UL Sanitation Certified per NSF Standards
- IP66 with factory installed ENCG option
- This product qualifies as a “designated country construction material” per FAR 52.225-11 Buy American-Construction Materials under Trade Agreements effective 06/01/2020. [See Buy American Solutions](#)

**WARRANTY**

- 5 year warranty
- See [HLI Standard Warranty](#) for additional information

KEY DATA	
Lumen Range	10213–16808
Wattage Range	112–169
Efficacy Range (LPW)	91–101
Reported Life (Hours)	60,000/L70

**ORDERING GUIDE**

Example: HBL-72LU-A2-5K-N-070-ND-WH

CATALOG #

HBL									070		
Model	# of LEDs	Voltage <sup>1</sup>	Mount	Hub	Color Temp <sup>6</sup>		Distribution		Drive Current	Dimming	
HBL Severe Location High Bay	<b>48L</b> 48 High Performance LEDs	<b>U</b> 120-277V <b>1</b> 120V	<b>A</b> Pendant <b>C</b> Cone <b>S</b> Straight stanchion <b>X</b> Ceiling <sup>2</sup> <b>Y</b> Yoke	<b>2</b> ¾" <sup>3</sup> <b>3</b> 1" <sup>4</sup> <b>4</b> 1½" <b>5</b> 1½" <sup>5</sup>	<b>27K</b> 2700K <b>3K</b> 3000K <b>35K</b> 3500K <b>4K</b> 4000K <b>5K</b> 5000K	<b>N</b> Narrow <b>W</b> Wide <b>A</b> Aisle	<b>070</b> 700 mA	<b>CD</b> Continuous Dimming <b>ND</b> Non Dimming			
	<b>60L</b> 60 High Performance LEDs	<b>2</b> 208V <b>3</b> 240V									
	<b>72L</b> 72 High Performance LEDs	<b>4</b> 277V									

Colors	Options
<b>BL</b> Black	<b>F(x)</b> Fusing (replace "x" with voltage) <sup>7</sup>
<b>GR</b> Gray	<b>ENCA</b> Frosted Acrylic Protective Lens
<b>WH</b> White	<b>ENCG</b> Glass Protective Lens
	<b>OCS360</b> Occupancy Detector 360° Pattern <sup>1,8</sup>
	<b>OCSA</b> Occupancy Detector Aisle Pattern <sup>1,8</sup>
	<b>WG</b> Zinc Plated Wire Guard
	<b>SL</b> Sag Lens Translucent white
	<b>FP</b> UL Sanitation for Food Processing
	<b>TLRX</b> Top Luminaire Retainer

Accessories (Order Separately)	
<input type="checkbox"/> <b>HOOK/LOOP</b>	Fixture Mounting Hook
<input type="checkbox"/> <b>BLA-C4HLPX</b>	Cord and Plug Set
<input type="checkbox"/> <b>LG250</b>	Dual-Lite 250 VA LiteGear® Emergency Lighting Inverter
<input type="checkbox"/> <b>TLRX</b>	Top Luminaire Retainer

- Notes:
- 1 Voltage must be specified for Fusing and Occupancy Sensor compatibility
  - 2 Ceiling Mount limited to 35°C ambient conditions
  - 3 Available with A, C, X and Y Mount
  - 4 Available with A, C, X Mount
  - 5 Available with S Mount
  - 6 See Color Temp De-Rating factors table on pg.3
  - 7 F(X) Fixture fuse. Replace X with voltage:  
1 = 120V, 2 = 208V, 3 = 240V, 4 = 277V
  - 8 OCS unavailable with SL, ENCA or ENCG

**ORDERING INFORMATION**

Factory installed; order with fixture by adding suffix.

CORD, HOOK/LOOP	
<b>-C4HL</b>	4' Cord, Hook/Loop
<b>-C6HL</b>	6' Cord, Hook/Loop
<b>-C8HL</b>	8' Cord, Hook/Loop
<b>-C10HL</b>	10' Cord, Hook/Loop
<b>-C12HL</b>	12' Cord, Hook/Loop

CORD, HOOK/LOOP & 20A PLUG					
	Length x =	120V	208V	240V	277V
<b>-C4HLP (X)</b>	4'	1	2	3	4
<b>-C6HLP (X)</b>	6'	1	2	3	4
<b>-C8HLP (X)</b>	8'	1	2	3	4
<b>-C10HLP (X)</b>	10'	1	2	3	4
<b>-C12HLP (X)</b>	12'	1	2	3	4

CORD, HOOK/LOOP & 15A PLUG					
	Length x =	120V	208V	240V	277V
<b>-C4HLP(X)-15a</b>	4'	1	2	3	4
<b>-C6HLP(X)-15a</b>	6'	1	2	3	4
<b>-C8HLP(X)-15a</b>	8'	1	2	3	4
<b>-C10HLP(X)-15a</b>	10'	1	2	3	4
<b>-C12HLP(X)-15a</b>	12'	1	2	3	4

NOTE: 1. Plugs are Twist-Lock® type as manufactured by Hubbell Wiring Devices  
2. -A (Pendants) and -C (Cone) mount only with option 2 Hubb (¾")

MOUNTING ACCESSORIES	
Order separately. Plugs are Twist-Lock® type as manufactured by Hubbell Wiring Devices.	
<b>BLA-C4HLP-1</b>	4' Cord, Hook/Loop and 120V 20A Twist-Lock® Plug
<b>BLA-C4HLP-4</b>	4' Cord, Hook/Loop and 277V 20A Twist-Lock® Plug
<b>BLA-C4HLP1-15A</b>	4' Cord, Hook/Loop and 120V 15A Twist-Lock® Plug
<b>BLA-C4HLP4-15A</b>	4' Cord, Hook/Loop and 277V 15A Twist-Lock® Plug
<b>HOOK/LOOP<sup>1</sup></b>	Hook - cast aluminum ¾" NPS male; includes safety screw; converts to Loop with strap included

<sup>1</sup> Cord, Hook/Loop and Plug must be added to fixture as option. Example: -C2HLP4.  
NOTE: Cord used with above accessories is 16/3 SOWA 105°C NEMA configurations.

**WARNING:** Improper selection, installation, operation, servicing, removal, and disposal of lighting products may create serious hazards including fires, explosions, shock, burns, cuts, impaired vision, falling objects and environmental contamination. Reduce risks by using luminaire retainers/safety cables of equipment, the guidance of licensed professionals throughout the product life cycle and following individual product, component, and accessory safety instructions and labels. We offer this in the interest of safety for our customers, who may not be aware of the potentially high risk involved in the misuse of these products.

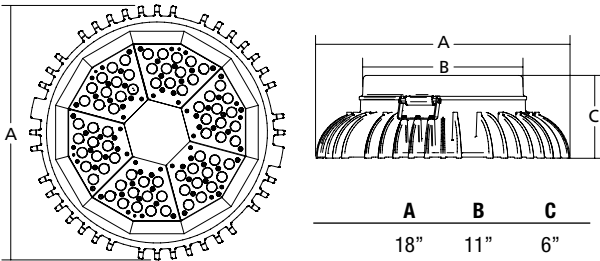
**DELIVERED LUMENS**

Fixture	Number of LEDs	Color Temp	Input Watts	Total Lumens	Lumens Per Watt	CRI	Ambient Temp
HBL-48LU-5K-N-070-WH	48	5000K	112	11206	100	70	55°C
HBL-48LU-5K-W-070-WH				10778	96		
HBL-48LU-5K-A-070-WH				10213	91		
HBL-60LU-5K-N-070-WH	60		139	14007	101		50°C
HBL-60LU-5K-W-070-WH				13472	97		
HBL-60LU-5K-A-070-WH				12776	92		
HBL-72LU-5K-N-070-WH	72		169	16808	99		45°C
HBL-72LU-5K-W-070-WH				16166	96		
HBL-72LU-5K-A-070-WH				15319	91		

**COLOR TEMPERATURE DE-RATING FACTORS**

Color Temp	48 LEDs			60 LEDs			72 LEDs		
	Narrow	Aisle	Wide	Narrow	Aisle	Wide	Narrow	Aisle	Wide
5000K	11206	10213	10778	14007	12776	13472	16808	15319	16166
4000K	9301	8477	8946	11626	10604	11182	13951	12715	13418
3500K	9189	8375	8838	11486	10476	11047	13783	12562	13256
3000K	8853	8068	8515	11066	10093	10643	13278	12102	12771
2700K	8517	7762	8191	10645	9710	10239	12774	11642	12286

**DIMENSIONS**



**PHOTOMETRY**

**HBL-72LU-5K-N-070-WH**

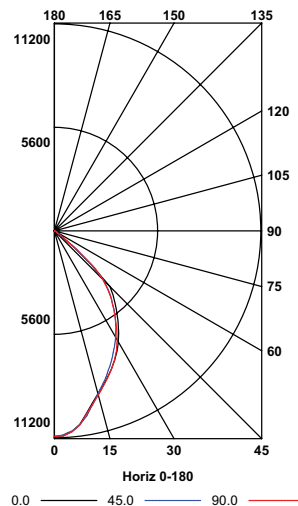
**LUMINAIRE DATA**

Test No.	5056_2
Description	HBL Severe Location, Highbay 18" diameter LED with custom engineered TIR optics
Delivered Lumens	14,063
Watts	162.00
Efficacy	87
Mounting	Specialty
Spacing Criterion	0° = 0.96 90° = .096

**ZONAL LUMEN SUMMARY**

Zone	Lumens	% Luminaire
0-30	7098	50.5
0-40	10751	76.4
0-60	13,876	98.7
0-90	14,061	100.0
0-180	14,063	100.0

**POLAR GRAPH**



**ADDITIONAL INFORMATION**

**MOUNTING OPTIONS**



Pendant Mount



Cone Mount



Ceiling Mount

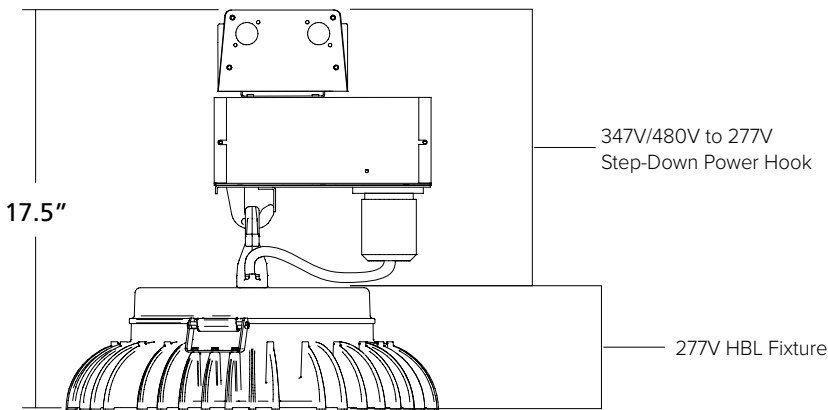


Stanchion (0°) Mount



Yoke (0°) Mount

**347V / 480V MOUNTING** — Consult factory for availability



All product and company names, logos and product identifiers are trademarks™ or registered trademarks® of Hubbell Lighting, Inc. or their respective owners. Use of them does not necessarily imply any affiliation with or endorsement by such respective owners.