

KEMLUX III SERIES

HAZARDOUS LOCATION FLOOD

DATE:	LOCATION:
TYPE:	PROJECT:
CATALOG #:	

FEATURES

- Class I, Division 2; Groups A, B, C and D with a T-Code of 5
- Custom engineered LED optics providing optimally controlled and evenly distributed light
- Three LED count options: 18, 24, 36
- Three distinct distributions: Type V Square, Type V Rectangle, Narrow
- Yoke mount for CID2 floodlighting applications
- Copper-free (<0.4%) aluminum housing and cover with tan Lektrocote® powder polyester paint finish provides excellent corrosion resistance from most chemicals



RELATED PRODUCTS

- [KHL](#)
- [KSL](#)

SPECIFICATIONS

APPLICATIONS

- Designed to efficiently light corrosive and hazardous applications such as chemical, petrochemical, marine, power generation, pharmaceutical or food processing plants

CONSTRUCTION

- Vertically finned cast aluminum housing for maximum heat dissipation ensuring long component life and performance
- Separate hinged optical and electrical compartments for optimum component operation and easy installation/maintenance
- One piece molded silicone gasket ensures weather proof seal around each individual LED; Stamped bezel provides mechanical compression to seal the optical assembly
- Yoke mount for CID2 floodlighting applications
- Specialized thermal management allows up to 40°C ambient temperature ratings
- Copper-free (<0.4%) aluminum housing and cover with tan Lektrocote® powder polyester paint finish provides excellent corrosion resistance from most chemicals
- Fixture weight: 29 lbs. Shipped weight: 33 lbs.

OPTICS/ELECTRICAL SYSTEM

- Custom engineered LED optics providing optimally controlled and evenly distributed light
- Three distinct distributions: Type V square, Type V rectangle and Narrow

LED LIGHT ENGINE

- High output LEDs delivering up to 105 lumens per watt
- CCT: 5100K
- 18, 24 and 36 LEDs on up to 6 light engines providing fail-safe redundancy

LED DRIVER

- Transient voltage protection with standard 10KVA surge suppressor
- Thermal compensation management
- Wattage: 43-86
- Minimum operating temperature of -40°C to 40°C

LISTINGS

- Listed to UL 844 for use in hazardous locations
- CSA Listed to UL 1598 Wet Location
- Class I, Division 2, Groups A, B, C & D; T-code of 5

WARRANTY

- 5 year warranty
- See [HLI Standard Warranty](#) for additional information

KEY DATA	
Lumen Range	4,323–9,004
Wattage Range	43-86
Efficacy Range (LPW)	99-105
Reported Life (Hours)	L70 @ 60,000

KEMLUX III SERIES

HAZARDOUS LOCATION FLOOD

DATE: _____ LOCATION: _____

TYPE: _____ PROJECT: _____

CATALOG #: _____

ORDERING GUIDE

Example: KHL-36L-U-5K-N-C-2-TN-WG

CATALOG #

KHL			5K		Y	2	TN	
Series	Number of LEDs	Voltage	Color Temperature	Optics	Mount	Hub	Color	Options
KHL Kemlux III LED	18L 18 High Performance LEDs (43 watts)	U 120 - 277	5K 5000K (68 CRI)	5M Type V Square	Y Yoke Mount	2 ¾"	TN Tan	F(x) Fusing ¹
	24L 24 High Performance LEDs (57 watts)	1 120		5R Type V Rectangle				WG Wire Guard
	36L 36 High Performance LEDs (86 watts)	2 208		N Narrow				
		3 240						
		4 277						
		5 480						
		F 347						

Notes:

1 Fusing (x=1 for 120V, 2 for 208V, 3 for 240V, 4 for 277V, 6 for 347V)

LED SYSTEM INFORMATION

NUMBER OF LED'S	DRIVE CURRENT (MILLIAMPS)	INPUT WATTS	DISTRIBUTION	TOTAL LUMENS	LUMENS PER WATT	HID EQUIVALENT		
18	STD. (700 MA)	43	N	4410	103	100W HID		
			5M	4323	101			
			5R	4405	102			
24		57	57	N	5988	105	175W HID	
				5M	5712	100		
				5R	5896	103		
36			86	86	N	9004	105	250W HID
					5M	8473	99	
					5R	8747	102	

¹Lumen values are from photometric tests performed in accordance with IESNA LM-79-08. Data is considered to be representative of the configurations shown. Actual performance may differ as a result of end-user environment and application.

KEMLUX III SERIES

HAZARDOUS LOCATION FLOOD

DATE: _____ LOCATION: _____

TYPE: _____ PROJECT: _____

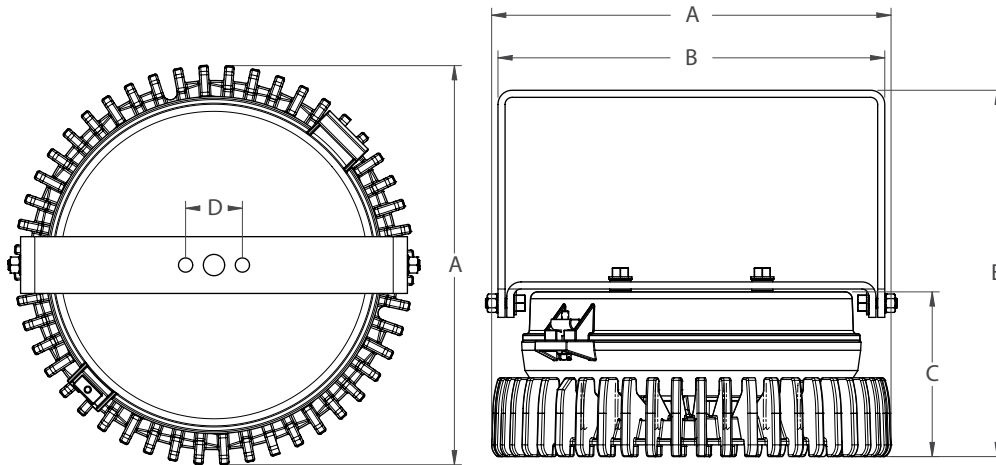
CATALOG #: _____

ELECTRICAL DATA

NUMBER OF LED's	NUMBER OF DRIVERS	DRIVE CURRENT (MILLIAMPS)	INPUT VOLTAGE (V)	SYSTEM POWER (W)	CURRENT (AMPS)	T-CODE
18	1	STD. (700 MA)	120	43	0.36	T5
			277	45	0.20	
			347	43	0.13	
			480	43	0.11	
24	2		120	57	0.48	T5
			277	59	0.24	
			347	56	0.17	
			480	57	0.13	
36	3		120	86	0.73	T5
			277	89	0.35	
			347	84	0.25	
			480	85	0.20	

DIMENSIONS

A	14"
B	13.625"
C	6"
D	2"
C	13"



KEMLUX III SERIES

HAZARDOUS LOCATION FLOOD

DATE: _____ LOCATION: _____

TYPE: _____ PROJECT: _____

CATALOG #: _____

PHOTOMETRY

KXL-36L-X-5K-5M

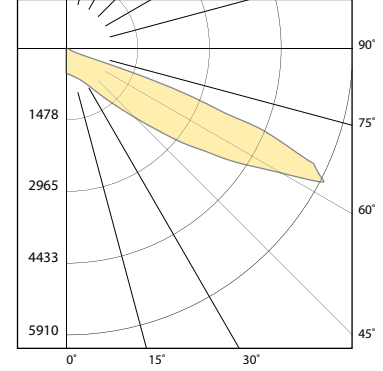
LUMINAIRE DATA

Test No.	7093
Description	5000K, 68 CRI
Delivered Lumens	8470
Watts	85.3W
Efficacy	99
Mounting	Pendant
Spacing Criterion	0° = 3.75 90° = 3.75

ZONAL LUMEN SUMMARY

Zone	Lumens	% Luminaire
0-30	557	6.6
0-40	1307	15.4
0-60	5683	67.1
0-90	8470	100.0
0-180	8470	100.0

POLAR GRAPH



KXL-36L-X-5K-5R

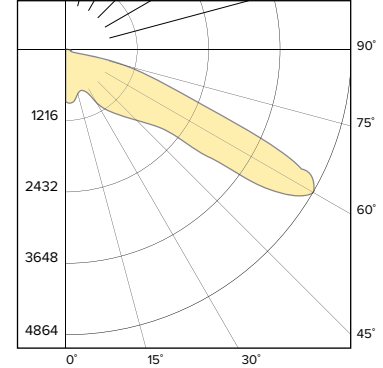
LUMINAIRE DATA

Test No.	7096
Description	5000K, 68 CRI
Delivered Lumens	8746
Watts	85.3W
Efficacy	103
Mounting	Pendant
Spacing Criterion	0° = 3.89 90° = 2.37

ZONAL LUMEN SUMMARY

Zone	Lumens	% Luminaire
0-30	765	8.7
0-40	1584	18.1
0-60	5235	59.9
0-90	8746	100.0
0-180	8746	100.0

POLAR GRAPH



KXL-36L-X-5K-N

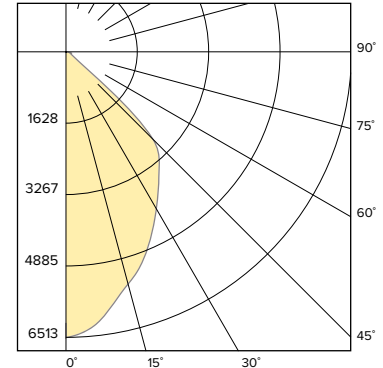
LUMINAIRE DATA

Test No.	7099
Description	5000K, 68 CRI
Delivered Lumens	9019
Watts	85.4W
Efficacy	106
Mounting	Pendant
Spacing Criterion	0° = 0.98 90° = 0.98

ZONAL LUMEN SUMMARY

Zone	Lumens	% Luminaire
0-30	4262	47.3
0-40	6596	73.1
0-60	8920	98.9
0-90	9019	100.0
0-180	9019	100.0

POLAR GRAPH



All product and company names, logos and product identifiers are trademarks ™ or registered trademarks ® of Hubbell Lighting, Inc. or their respective owners. Use of them does not necessarily imply any affiliation with or endorsement by such respective owners.