



FEATURES

- LED technology in a lensed striplight
- Long life 50,000 hour LEDs at L80 for reduced maintenance
- Up to 144 lumens per watt
- Choice of four LED color temperatures
- Superior color consistency within a 3-step MacAdam ellipse and greater than 80 CRI
- Choice of four lumen packages per size
- Available in 2', 4' or 8' lengths
- Optional integral emergency battery pack
- Heavy die-formed steel channel with 100% acrylic formed diffuser
- Fully assembled fixture for quick installation
- LED boards and driver accessible for future maintenance or upgrades
- Modular replaceable LED components
- Surface mount, wall mount or suspended
- Maximum temperature 25°C on all lumen packages
- DLC® (DesignLights Consortium) Qualified, with some Premium Qualified configurations - see www.designlights.org
- Five year warranty

PROJECT INFORMATION

Project Name _____

Type _____

Catalog No. _____

Date _____

CONSTRUCTION

Housing, wireway, and ends are formed from code-gauge steel. Housing components act as heat sink for LED heat dissipation. Knockouts are provided for electrical access and mounting. Shielded with 100% frosted prismatic acrylic lens.

FINISH

White painted parts are treated with a five-stage phosphate bonding process and finished with high reflectance baked enamel. For a post-painted housing finish select PAF option.

ELECTRICAL

Long-life LEDs are rated for 50,000 hours at L80 lumen maintenance. Driver options include fixed output for on/off function, step dimming (high/low/off) or continuous 0-10V dimming.

CERTIFICATION

All luminaires are built to UL 1598 and 2108 standards, and bear appropriate CSA c/US labels. Damp location labeling is standard. Emergency equipped fixtures labeled UL924. Adheres to LM70, LM80, and TM21 industry standards. DLC® (DesignLights Consortium) Qualified, with some Premium Qualified configurations. Please refer to the DLC website for specific product qualifications at www.designlights.org. This product qualifies as a "designated country construction material" per FAR 52.225-11 Buy American-Construction Materials under Trade Agreements effective 06/01/2020. See Buy American Solutions.

WARRANTY

Five year warranty (Terms and Conditions apply).

ORDERING INFORMATION

EXAMPLE LCL4-40HL-EU

MODEL	SIZE	COLOR TEMP	LUMEN OUTPUT	DRIVER	VOLTAGE	OPTIONS
LCL LED Striplight	2 2' ¹ 4 4' 8 8'	30 3000K 35 3500K 40 4000K 50 5000K	LW Low Watt ML Medium Lumen HL High Lumen VL Very High Lumen See Product Availability Table below.	E Fixed Output ESD Step Dimming ⁴ ED 0-10V Dimming ED1 0-10V 1% Dimming LUTH Hi-Lume 1% EcoSystem LED driver with Soft-on, Fade-to-Black dimming technology	U 120V-277V 347 347V (E,ED,ED1 only)	ELL14 Emergency Battery Pack, 1400 Lumens ^{2,3} GLR Fast Blow Fuse PAF Paint After Fabrication

**ACCESSORIES
(ORDER SEPARATELY)**

- S18** 18" Stem, Canopy
- SS18** 18" Swivel Stem—45° Swivel
- CSHC** Chain Hanger Assembly
- LCLWG4** 4' Wire Guard, 2 Required for 8' Fixture

¹ Available in ML lumen output only.
² For compatibility with Dual-Lite LiteGear® inverters in lieu of installed battery pack, contact Hubbell Lighting representative.
³ Not available in 2 ft size.
⁴ Only available in 4' ML, HL & VL packages.

Product Availability			
Lumen Package	Lumens	Watts	LPW
LCL2-30ML-EU	2713	24	115
LCL2-35ML-EU	2805	24	119
LCL2-40ML-EU	2849	24	121
LCL2-50ML-EU	2925	24	124
LCL4-30LW-EU	2491	19	133
LCL4-35LW-EU	2576	19	138
LCL4-40LW-EU	2616	19	140
LCL4-50LW-EU	2686	19	144
LCL4-30ML-EU	5154	42	123
LCL4-35ML-EU	5329	42	127
LCL4-40ML-EU	5411	42	129
LCL4-50ML-EU	5556	42	132
LCL4-30HL-EU	6185	52	119
LCL4-35HL-EU	6395	52	123
LCL4-40HL-EU	6494	52	125
LCL4-50HL-EU	6667	52	128
LCL4-30VL-EU	9904	85	116
LCL4-35VL-EU	10241	85	120
LCL4-40VL-EU	10400	85	122
LCL4-50VL-EU	10677	85	125
LCL8-30LW-EU	4983	38	131
LCL8-35LW-EU	5152	38	138
LCL8-40LW-EU	5232	38	140
LCL8-50LW-EU	5371	38	144
LCL8-30ML-EU	10308	84	123
LCL8-35ML-EU	10658	84	127
LCL8-40ML-EU	10823	84	129
LCL8-50ML-EU	11111	84	132
LCL8-30HL-EU	12369	104	119
LCL8-35HL-EU	12790	104	123
LCL8-40HL-EU	12988	104	125
LCL8-50HL-EU	13334	104	128
LCL8-30VL-EU	19809	170	116
LCL8-35VL-EU	20482	170	120
LCL8-40VL-EU	20799	170	122
LCL8-50VL-EU	21354	170	125

Lumens vary according to color temperature and other factors.
See specific photometric test(s).

Test #17788 Test Date 12/14/2016

PHOTOMETRIC DATA

LUMINAIRE DATA

Luminaire	LCL4-40HL-EU LCL LED Lensed Utility Channel, Industrial 48" x 4½ x 3¼" LED with frosted linear prisms lens
Ballast	XI054C150V054BST1
Ballast Factor	1.00
Lamp	LED
Fixture Lumens	6494
Watts	51.90
Shielding Angle	0° = 90 90° = 90
Spacing Criterion	0° = 1.20 90° = 1.28
Luminous Opening in Feet	Length: 4.00 Width: 0.38 Height: 0.15

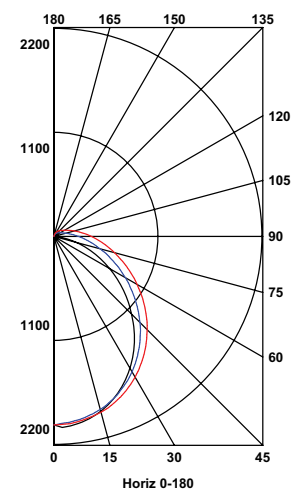
ZONAL LUMEN SUMMARY

Zone	Lumens	Lamp	Fixt.
0-30	1535	23.6	23.6
0-40	2500	38.5	38.5
0-60	4385	67.5	67.5
0-90	5944	91.5	91.5
0-180	6494	100.0	100.0

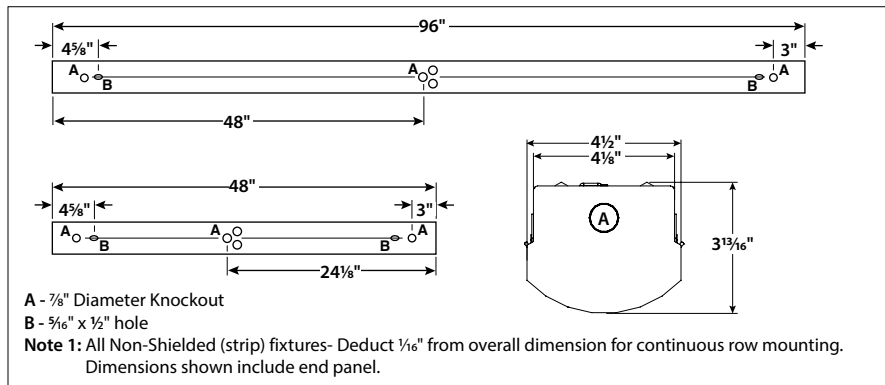
ENERGY DATA

Total Luminaire Efficiency	100.0
Total Lumens per Watt	125
ANSI/IESNA RP-1-2004 Compliance	Noncompliant
Comparative Yearly Lighting Energy Cost per 1000 Lumens	\$1.92 based on 3000 hrs. and \$0.08 per KWH

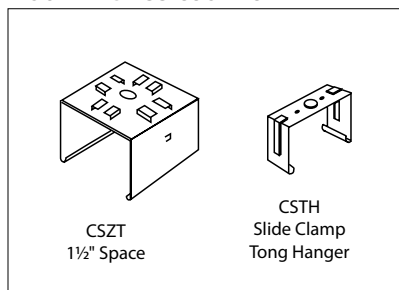
INDOOR CANDELA PLOT



DIMENSIONAL DATA



MOUNTING ACCESSORIES



NOTE: All dimensions are in inches; dimensions and specifications are subject to change without notice. Please consult factory or check sample for verification.