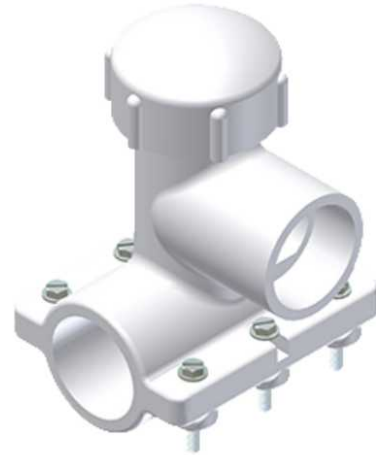




PVC SUPER FASTTAP® SADDLE PUNCH TEE FOR USE ON ALL PVC AND PE MAINS

By Continental Industries
Catalog # [516119071600](#)

PVC SUPER FASTTAP®, 3IN IPS MAIN X 1 1/2IN IPS SOCKET, 1
1/2" CR PUNCH



Features

- Full wrap around saddle design eliminates stress points being applied to main.
- Tapping process uses simple combination tapping tool eliminating cumbersome tapping machines.
- Tapping cutter retains the coupon then functions as a cut-off valve eliminating corporation stops.
- Manufactured from noncorrosive materials.
- PVC with PPI HDB Listing
- 316 Stainless Steel Bolts
- Available to work with 2"-6" iron pipe size mains.
- Available with 1 1/4" and 2" PVC, PE or PB
- Compression outlets and 1 1/4", 1 1/2" & 2" PVC solvent-weld outlets.
- Application may be for wet or dry taps.
- See www.nsf.org for Continental's NSF Listing to Standard 61.
- Reduces installation time by 50%.

General

Material PVC

Product Assets

[Installation Manuals - CONT-Manual-super-fasttap](#)
[Installation Manuals - CONT-Manual-0000-34-4834-49-fasttap](#)



A proud member of the Hubbell Family.

©2024 Hubbell Incorporated. All rights reserved.
CONT-516119071600-SPEC-EN | REV 1/2024