

# CR1-EHS - External 3-Sided Glare Shield

CIMARRON ACCESSORY



## CIMARRON SERIES ACCESSORY INSTALLATION INSTRUCTIONS SAVE THESE INSTRUCTIONS

**WARNING!** LUMINAIRES require high current and voltage. HID LAMPS used in luminaires generate intense light and high temperatures. HID LAMPS may emit UV and IR radiation. LAMPS may contain MERCURY (Hg), LEAD (Pb) and other potentially dangerous and/or toxic materials. If lamp is marked it contains mercury and is subject to disposal laws. See [www.lamprecycle.org](http://www.lamprecycle.org). HID LAMPS may rupture unexpectedly.

**WARNING!** Fixtures must be grounded and installed in accordance with the National Electrical Code and all local codes. Failure to do so may increase the **RISK OF PERSONAL INJURY, PROPERTY DAMAGE, FIRE AND DEATH**. Install and use so lamp and control gear burnouts do not cause a hazard and use only in environments for which the product is specifically marked.

**WARNING!** This product contains chemicals known to the State of California to cause cancer, birth defects, and/or other reproductive harm. Thoroughly wash hands after installing, handling, cleaning, or otherwise touching this product.

**CAUTION!** Follow ALL luminaire and lamp manufacturer's recommendations, product markings, instructions, restrictions and warnings regarding luminaire and lamp operation, burning position, cycling and lamp replacement. Luminaire label shows electrical, environmental and lamp requirements. **STOP USING WHEN LAMP FAILS.** Continued operation will result in control gear damage and possible nuisance smoke.

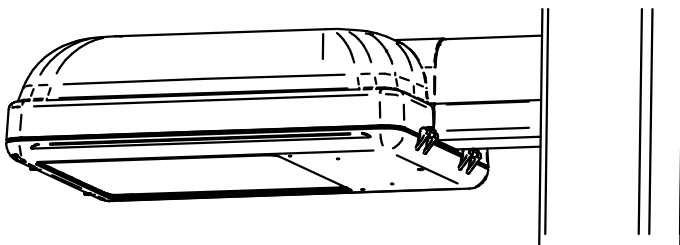
All electrical work must be done by a qualified electrician.

Turn off electric power to all affected circuits and allow to cool before servicing.

A regularly scheduled maintenance program should be established to retain optimum light output and reduce heat retention. Dusting with a soft, clean, dry cloth is normally sufficient for the reflector. Any accumulation of dust or dirt should be removed regularly from both sides of the lens during relamping. Use only a mild soapy solution, DO NOT use alkaline or acid cleaners on reflector surfaces.

Carefully read these instructions before installing product. If you do not understand these instructions, before starting any work, contact your Hubbell Lighting distributor or [techsupport@hubbell-ltg.com](mailto:techsupport@hubbell-ltg.com) or (864) 678-1000

Give instructions to facility owner/manager for future reference.

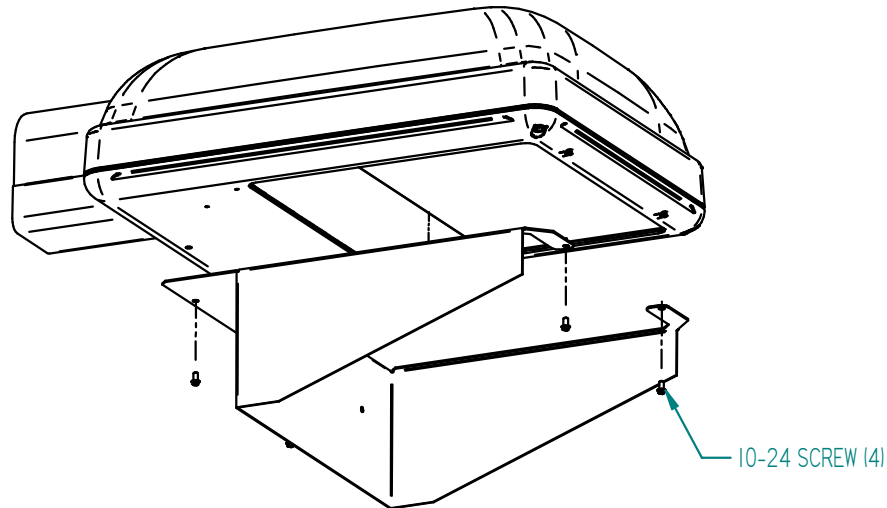
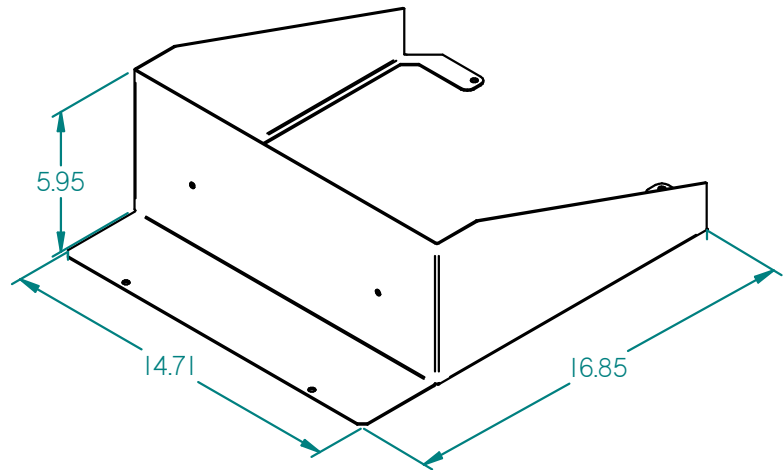
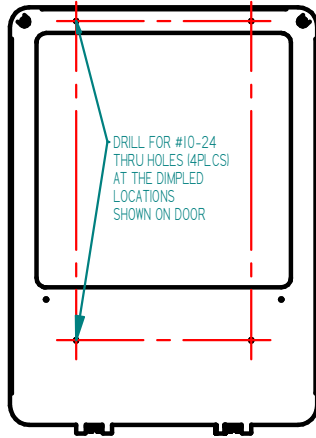


# CR1-EHS - External 3-Sided Glare Shield

CIMARRON ACCESSORY



**Warning:** DISCONNECT POWER BEFORE INSTALLATION OR MAINTENANCE



## Mounting Notes:

1. Place shield over top of lens door in position shown above.
2. Using the shield as a template, mark the four locations for field drilling.
3. Drill (4) holes in fixture.
4. Secure shield to door with (4) 10-24 screws at the drilled holes.

## Shipping Package Contents:

Shield (1)  
10-24 Screw (4)

**Material:** Aluminum  
**Finish:** Powder Paint  
**Weight:** 3 lbs