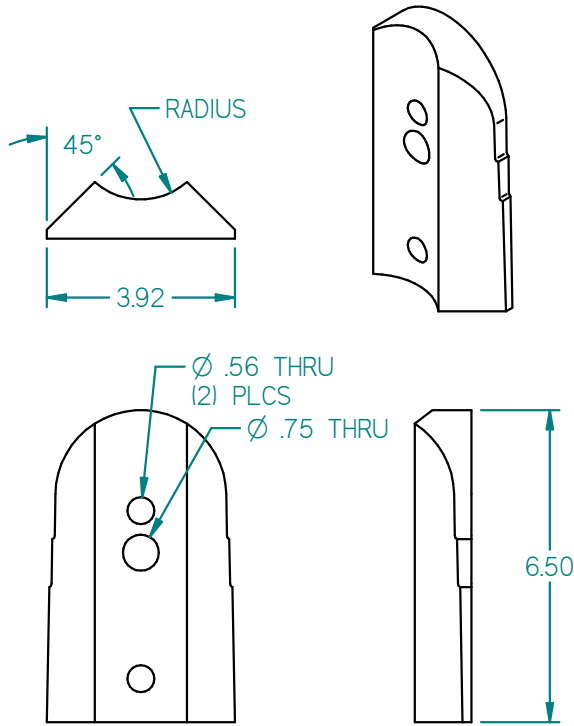


CRDRPA 2.875" - 7" Round Pole Adapter

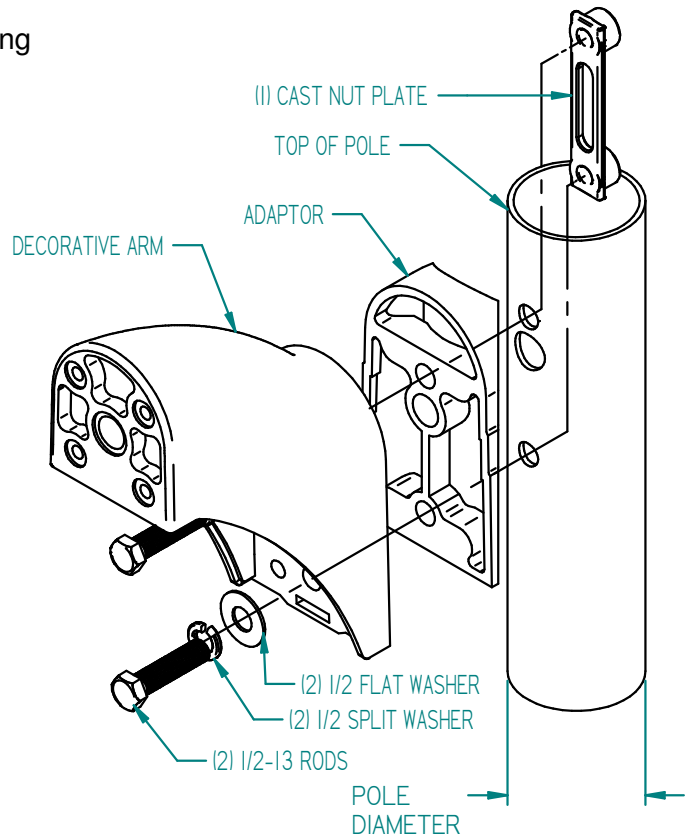
CIMARRON ACCESSORY



WARNING: To avoid damaging supply wiring, drill all necessary holes in poles, arms, or mounting brackets BEFORE pulling supply wires.



#2 DRILL PATTERN



CATALOG NUMBER	RADIUS	POLE DIAMETER
CRDRPA2	1.44	2.875"-3.125"
CRDRPA3	1.75	3.5"-4"
CRDRPA4	2.06	4.125"-4.875"
CRDRPA5	2.5	5"-5.875"
CRDRPA6	3	6"-7"

Mounting Notes:

1. Position pole adaptor with rounded edge to pole and hole pattern aligned to pre-drilled holes in pole.
2. Position nut plate (supplied with fixture) inside pole to line up with pole adaptor.
3. Consulting fixture instructions, install (2) screws (supplied with fixture) through fixture and pole adaptor's two 0.56" holes to secure fixture and pole adaptor to pole.
4. Consult fixture installation instructions to complete fixture installation.

Shipping Package Contents:

Pole Adaptor (1)
Additional Hardware Supplied with Fixture

Material: Aluminum
Finish: Powder Paint
Weight: 2 lbs