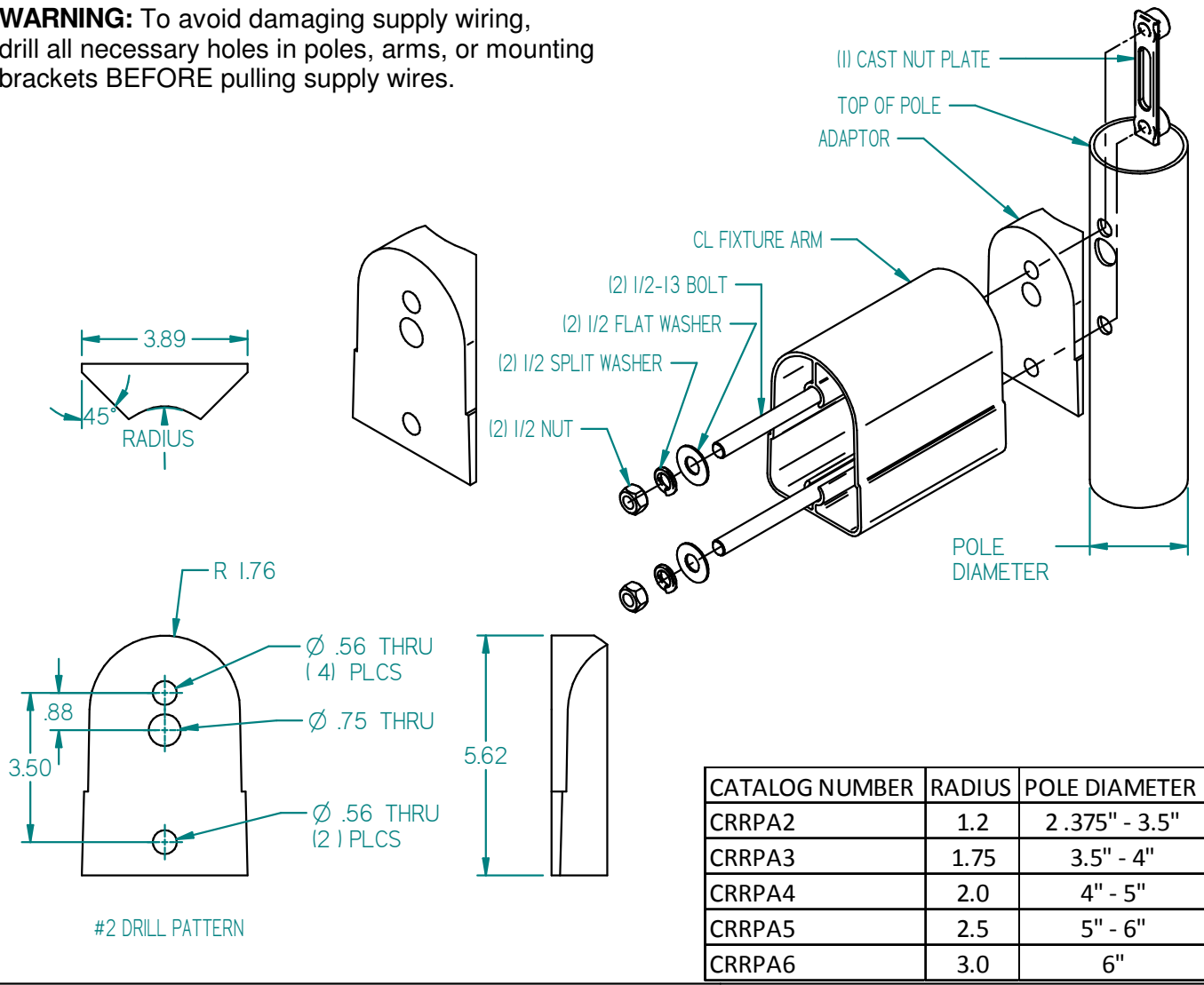


# CRRPA 2.375"- 6" Round Pole Adapter

CIMARRON ACCESSORY



**WARNING:** To avoid damaging supply wiring, drill all necessary holes in poles, arms, or mounting brackets **BEFORE** pulling supply wires.



CATALOG NUMBER	RADIUS	POLE DIAMETER
CRRPA2	1.2	2.375" - 3.5"
CRRPA3	1.75	3.5" - 4"
CRRPA4	2.0	4" - 5"
CRRPA5	2.5	5" - 6"
CRRPA6	3.0	6"

**Mounting Notes:**

1. Position pole adaptor with rounded edge to pole and hole pattern aligned to pre-drilled holes in pole.
2. Position nut plate (supplied with fixture) inside pole to line up with pole adaptor.
3. Consulting fixture instructions, install (2) 1/2-13 bolts (supplied with fixture) through fixture arm and the two 0.57" holes in the pole adaptor to secure to pole.
4. Consult fixture installation instructions to complete fixture installation.

**Shipping Package Contents:**

Pole Adaptor (1)  
*Additional Hardware Supplied with Fixture*

**Material:** Aluminum  
**Finish:** Powder Paint  
**Weight:** 2 lbs