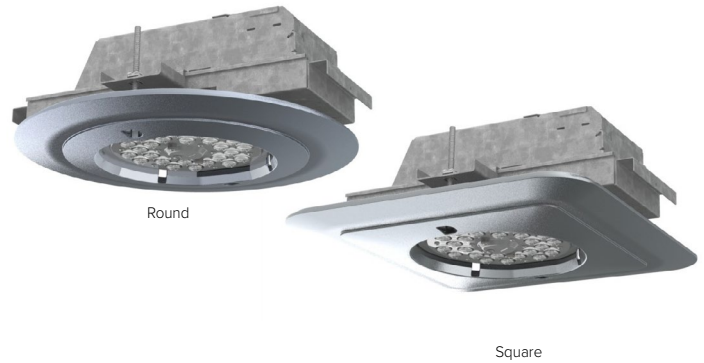


# CEILEO

CEILING/GARAGE

## FEATURES

- Available in round and square version
- Reduces maintenance by delivering over 200,000 hours of projected life
- Consumes only 55 watts and is designed to replace up to 250 watt HID systems
- Can be used with 0–10V current-sinking control devices (occupancy sensors, external dimmers, etc)
- Cast LED housing is designed for easy removal and access to driver compartment
- Low-profile, ultimate solution in LED recessed canopy lighting applications



## SPECIFICATIONS

### CONSTRUCTION

- Die cast aluminum LED housing provides direct heat exchange between the LED light engine and the cool outdoor air
- Mounted with two key-slotted screws for easy installation and removal
- Galvanized steel recessed housing mounts to ½" EMT conduit, contains driver compartment and separate line voltage and dimming wiring compartments
- Drivers mounted to removable tray accessible from beneath for easy services
- Optical one piece cartridge system consisting of an LED engine, LED lamps, optics, gasket and stainless steel bezel
- Die cut foam silicone gasket ensures a weather-proof seal around each individual LED

### CONSTRUCTION CONTINUED

- Ceileo uses a 24-LED engine that can be field adjusted to four wattages (55, 45, 30, 15 watts) and four lumen outputs by a four position rotary dimming switch
- The switch shall be mounted on the PCB and used to manually set dimming level to approximately 25%, 50%, 75% and 100% of current
- Dimming switch shall be accessible by removing a screw from the bezel. Following removal of screw, switch may be rotated with a small screwdriver
- Independent insitute thermal testing confirm solder point temperatures not to exceed 55°C and driver case temperatures not to exceed 60°C at 55-watts input power
- At 30-watts input power solder point temperature will not exceed 40°C and driver case temperatures will not to exceed 55°C

### ELECTRICAL

- 100–277V, 50–60 Hz (UNV)
- Power factor is  $\geq .90$  at full load
- Comes standard with 0–10 OV dimming capability, with flicker-free dimming to 10%. Must contact factory to request wiring leads for purpose of external dimming controls
- Component-to-component wiring within the luminaire may carry no more than 80% of rated load and is certified by UL for use at 600VAC at 90°C or higher
- Surge protection - 20kA

### CERTIFICATIONS

- The luminaire shall be NRTL certified to UL 1598 and 8750 standards for use in wet locations in outdoor canopies

### WARRANTY

- 5 year warranty
- See [HLI Standard Warranty](#) for additional information

KEY DATA	
Lumen Range	5423–6267
Wattage Range	55
Efficacy Range (LPW)	100–115
Fixture Projected Life (Hours)	L70>704K
Weights lbs. (kg)	11 (5.0)

**ORDERING GUIDE**

Example: CLO-24L-55-3K7-5R-UNV-SQ-DBT

CATALOG # \_\_\_\_\_

Model	Engine - Watts	LED Color	Optics	Voltage	Style Options	Color
CLO Ceileo	<b>24L-55</b> 55 Watts - LED array	<b>3K7</b> 3000K <b>4K7</b> 4000K <b>5K7</b> 5000K	<b>5x5</b> Aisle Lighter <b>5R</b> Type V, Rectangular <b>5QM</b> Type V, Square Medium <b>5QN</b> Type V, Square Narrow <b>5W</b> Type V, Round Wide <b>3x5</b> Vertical Flood <b>DF</b> Diffused Lens	<b>UNV</b> 120-277V	<b>RD</b> Round <b>SQ</b> Square	<b>BLT</b> Black Matte Textured <b>BLS</b> Black Gloss Smooth <b>DBT</b> Dark Bronze Matte Textured <b>DBS</b> Dark Bronze Gloss Smooth <b>GTT</b> Graphite Matte Textured <b>LGS</b> Light Grey Gloss Smooth <b>PSS</b> Platinum Silver Smooth <b>WHT</b> White Matte Textured <b>WHS</b> White Gloss Smooth <b>VGT</b> Verde Green Textured <b>Color Option</b> <b>CC</b> Custom Color

**PERFORMANCE DATA**

# LED'S	DRIVE CURRENT (MILLIAMPS)	SYSTEM WATTS	DISTRIBUTION TYPE	5K (5000K nominal, 70 CRI)					4K (4000K nominal, 70 CRI)					3K (3000K nominal, 70 CRI)				
				LUMENS	LPW <sup>1</sup>	B	U	G	LUMENS	LPW <sup>1</sup>	B	U	G	LUMENS	LPW <sup>1</sup>	B	U	G
24	700mA	55W	5X5	6089	112	N/A	N/A	N/A	6213	114	N/A	N/A	N/A	5716	105	N/A	N/A	N/A
			5R	6025	111	3	1	3	5147	113	3	1	3	5655	104	3	1	3
			5QM	6038	111	3	1	1	6161	113	3	1	1	5668	104	3	1	1
			5QN	6142	113	2	0	0	6267	115	2	0	0	5766	106	2	0	0
			5W	5902	108	3	1	1	6022	111	3	1	1	5541	102	3	1	1
			3X5	5777	106	N/A	N/A	N/A	5895	108	N/A	N/A	N/A	5423	100	N/A	N/A	N/A

<sup>1</sup> Lumen values are from photometric tests performed in accordance with IESNA LM-79-08. Data is considered to be representative of the configurations shown. Actual performance may differ as a result of end-user environment and application

**PROJECTED LUMEN MAINTENANCE**

AMBIENT TEMP.	0	25,000	50,000	1TM-21-11 60,000	100,000	Calculated L70 (HOURS)
25°C / 77°F	1.00	0.98	0.97	0.96	0.94	>704,000

<sup>1</sup> Projected per IESNA TM-21-11  
<sup>2</sup> Data references the extrapolated performance projections for the base model in a 25°C ambient, based on 10,000 hours of LED testing per IESNA LM-80-08

**ELECTRICAL DATA**

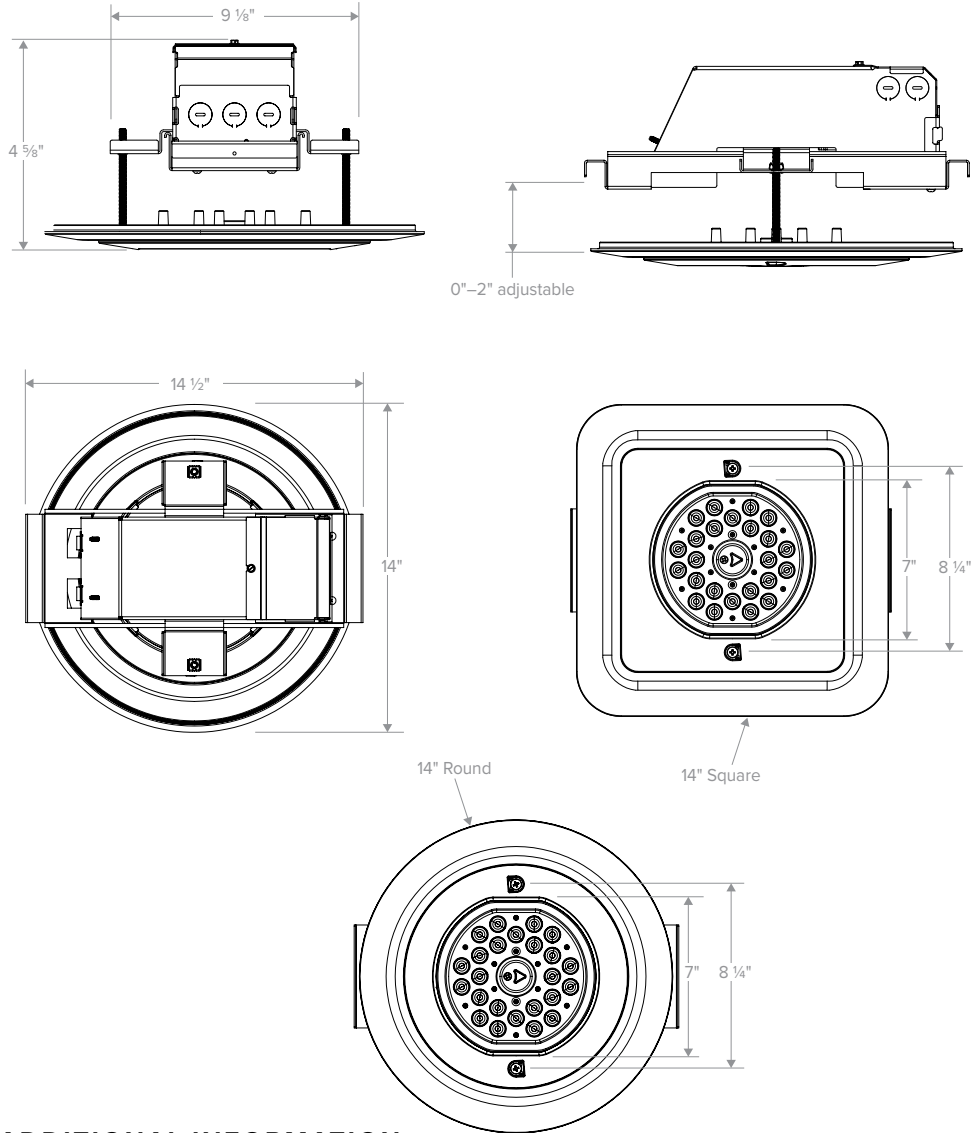
# OF LEDS	NUMBER OF DRIVERS	DRIVE CURRENT (mA)	INPUT VOLTAGE (V)	OPER. CURRENT (Amps)	SYSTEM POWER (Watts)
24	1	700 (mA)	120	0.48	57.0
			277	0.21	57.0

AMBIENT TEMPERATURE	LUMEN MULTIPLIER	
0°C	32°F	1.02
10°C	50°F	1.01
20°C	68°F	1.00
25°C	77°F	1.00

Use these factors to determine relative lumen output for average ambient temperatures from 0-50°C (32-122°F)

**CEILEO**  
CEILING/GARAGE

**DIMENSIONS**



**ADDITIONAL INFORMATION**

**PRODUCT VIEWS**

