



CURIE ELITE

Ex eb LED Recessed Linear

The **Curie Elite** LED is a recessed luminaire designed for use in solid or plank ceiling types.

Widely used in offshore accommodation modules this proven luminaire is now available in LED bringing all the benefits of long life LED technology with replaceable LED strips and driver.



Mounting Options

Recessed. Suspended (drop rods).

Standard Specification

Curie Elite Ex eb LED Recessed Linear

Type of Protection	Ex eb mb qb (Increased Safety, Encapsulation, Powder filling) Ex tb (Dust Protected Enclosure)
ATEX Classification	Group II Category 2 GD
Area Classification	Zone 1 and 21 areas to EN 60079-10-1 and EN 60079-10-2 with installation to EN 60079-14
Certificate	EU Type Examination Certificate CML16ATEX3335X IECEx Certificate of Conformity IECEx CML16.0108X UK Type Examination Certificate CML 21UKEX1499X
Coding	Ex eb mb qb IIC T4 Gb Ex tb IIIC T95°C Db IP65
Enclosure	White polyester painted zintec body and aluminium frame. Frame colour RAL 9016G with prismatic polycarbonate diffuser
Geartray	Aluminium
Entry	4 x 20mm clearance holes located on top - two each side
Termination	4 core 4mm ² max conductor with looping and 16A rating through wiring
Installation	Side brackets with adjustable arms (solid ceilings) with provision for drop rod mounting
Control Gear	Electronic Driver
Colour Temperature (CCT)	4000K (Neutral White)
Colour Rendering Index (Ra)	>80
Maintenance	Via front cover, secured by stainless steel fasteners
System Life	120,000hrs @ 25°C [excluding battery]
Battery	Internal Ni-Cd (6V) [Emergency version only]
Emergency Duration	90 mins (30% output)
Ingress Protection	IP65 to EN 60529
Surge Protection	4kV
Electrical Supply	220-254V AC, 50/60Hz

Features

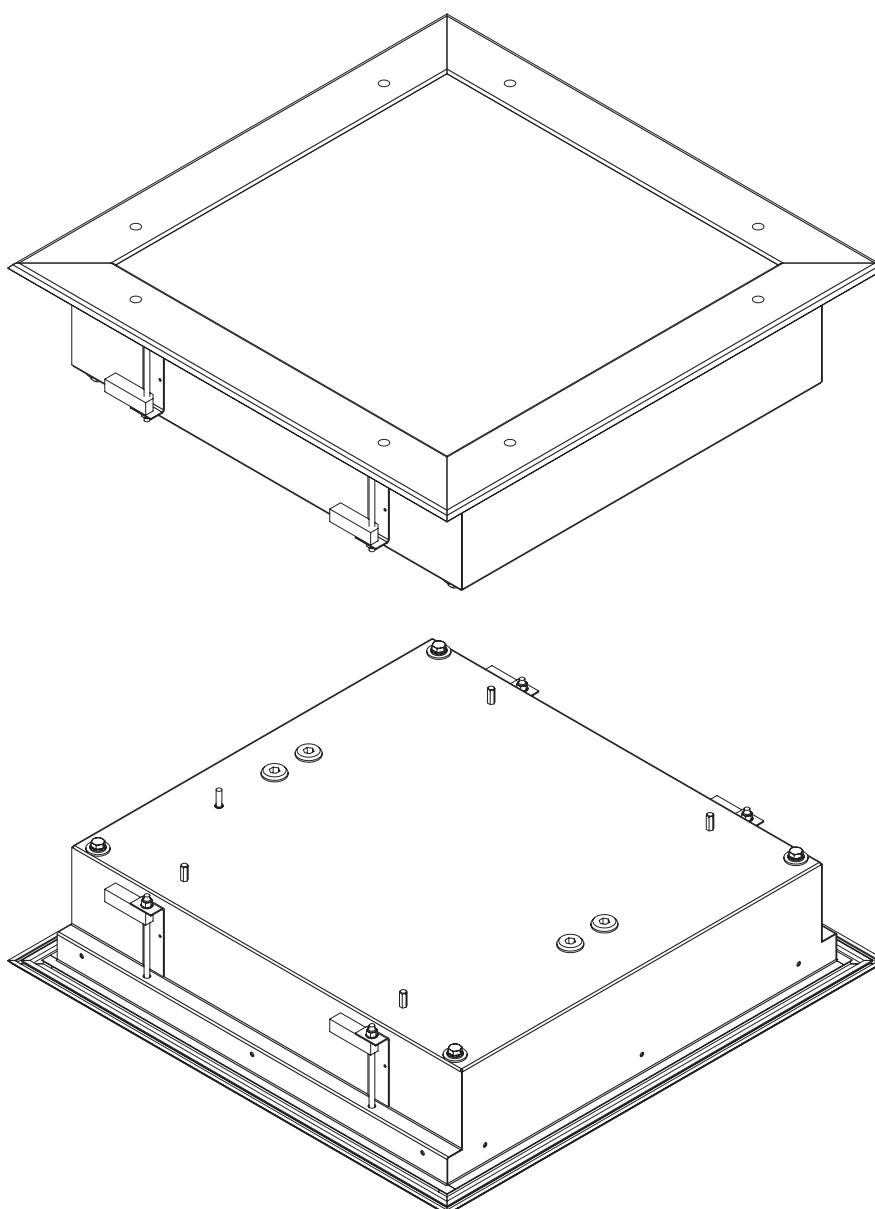
- ◆ Highly **Energy Efficient**
- ◆ **Fully maintainable** with replaceable LED strips and driver
- ◆ **Quick release** mains terminals
- ◆ **B15 SOLAS fire rating** - appropriate insulation is required over luminaire
- ◆ **Resistant** to voltage fluctuations
- ◆ **120,000** maintenance free hours at 25°C (L70)

Std. Cat No.	Delivered Output	Power Consumption	Tclass	T°C (Dust)	Ambient °C *	Weight
CUEE/03L/LE	3407 lm	62W	T4	95	-20 to +45	16.0kg
CUEE/03L/LE/EM	3407 lm	65W	T4	95	-20 to +45	18.0kg

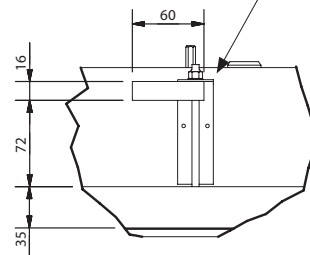
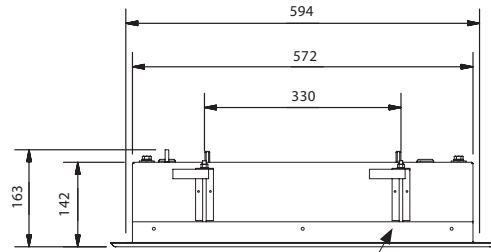
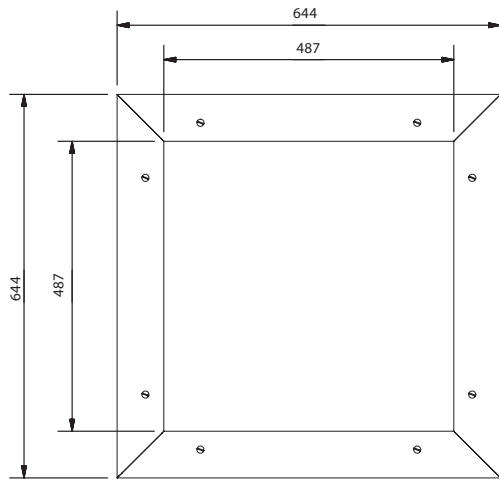
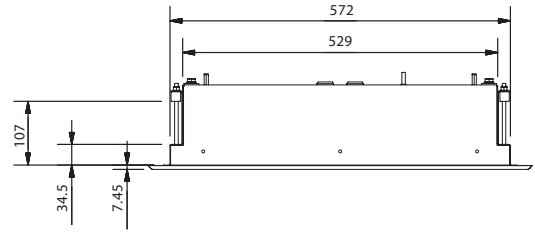
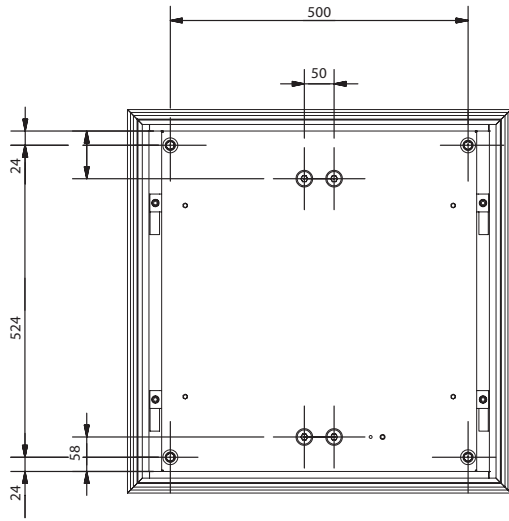
* insulated ambient range

Options - Suffix to Catalogue No.

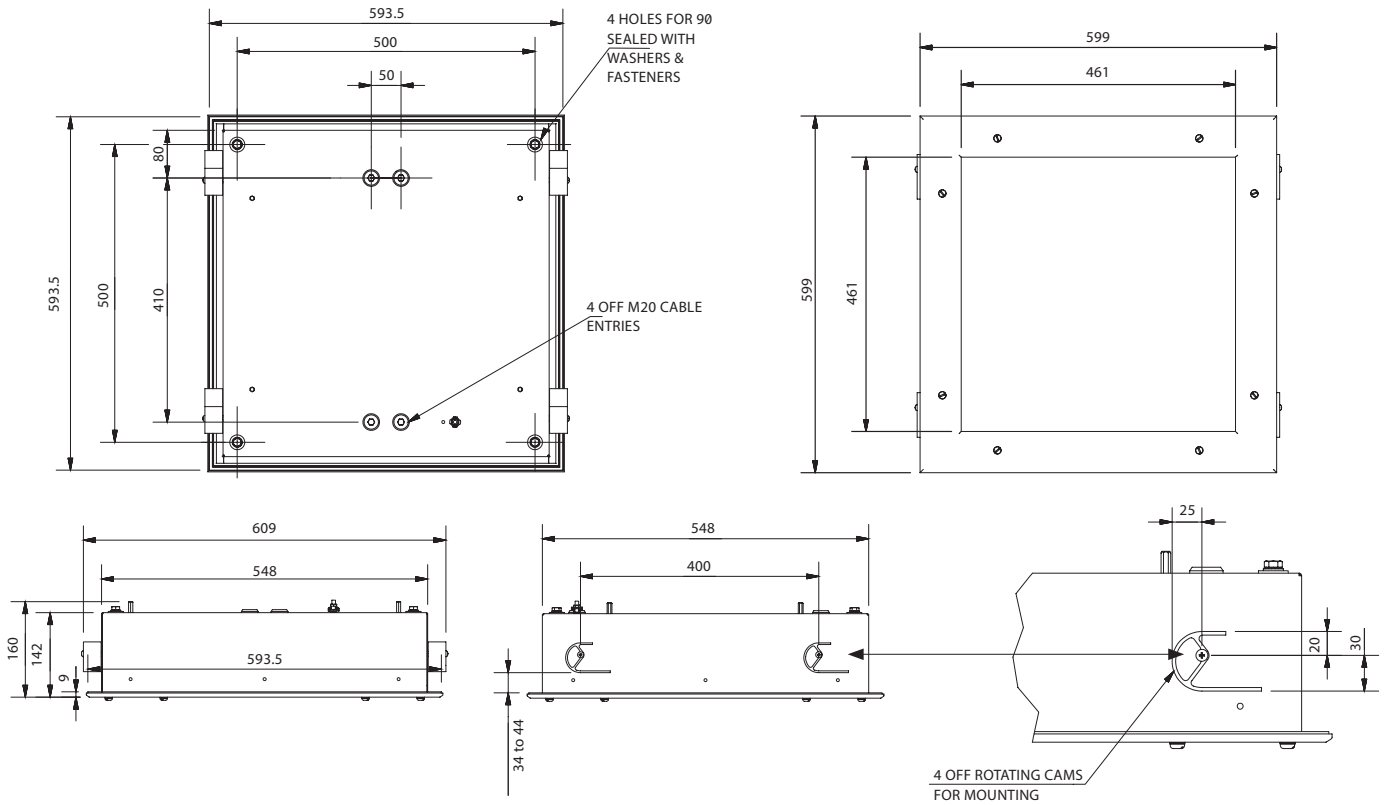
/SC	Screwed connection terminal block (up to 6mm ² conductors)	/GIS	Geartray isolation switch (Gas coding becomes - Ex db eb mb op is qb IIC)
/25	25mm cable entries	/6K	6000K (Cool Daylight) LED Strips
/120	Specific voltage (110-130V AC)	/3H	3 hour battery duration (15% output)
/SSF	Stainless steel front cover	/MST	Modular - Spring 'T' Ceiling
		/MET	Modular - Exposed 'T' Ceiling



CUEE/03L/LE



CUEE/03L/LE/MST



CUEE/03L/LE/MET

