



The Curie is a recessed fluorescent specifically designed for use in solid or modular ceiling types. The luminaire is SOLAS B15 approved and suitable for use in offshore accommodation modules for both task and emergency lighting.

Standard Specification		Features
Ingress Protection	IP44 to EN60598-1 (Front cover only)	Suitable for solid and modular ceiling types
Enclosure	White polyester painted zintec body frame. Frame colour RAL 9016G. Prismatic polycarbonate diffuser, c/w stainless steel fasteners for cable entries	B15 SOLAS fire rating - appropriate insulation is required over the luminaire
		Option of battery management monitoring & automatic self test
Entries	4 x 20mm clearance holes for cable entries, mounted on the top two at one end and two at the other end.	Simple and easy access via front cover for lamp replacement and maintenance
		Electronic control gear gives 50/60Hz operation, high power factor correction and regulation of lamp output
Internal Wiring	Stranded, heat resistant wiring up to 105°C	dc operation (non emergency)
Termination	4 core 4mm ² max conductors	Local switching arrangement as standard
Mounting	Side brackets with adjustable arms (solid ceilings) Rotating cams (Exposed 'T' and Spring 'T' ceilings). There is also a provision for drop rod mounting	Optional battery monitoring and self-testing control gear
Control Gear	High Frequency	 
Relamping	Via front cover, secured by pan head screws	
Electrical Supply	220-240V 50/60Hz AC/DC	
Battery duration	3 Hours (emergency models)	

Std. Cat No.	Wattage	Lamp Type	Lampholder	Ambient °C	Weight
CURI/218/BI*	2x18W	T8 fluorescent	G13	-20 to +40	8.0kg
CURI/418/BI	4x18W	T8 fluorescent	G13	-20 to +40	8.0kg
CURI/236/BI*	2x36W	T8 fluorescent	G13	-20 to +40	14.6kg
CURI/436/BI	4x36W	T8 fluorescent	G13	-20 to +40	15.0kg
CURI/218/BI/EM*	2x18W	T8 fluorescent	G13	-20 to +40	8.6kg
CURI/418/BI/EM	4x18W	T8 fluorescent	G13	-20 to +40	8.6kg
CURI/236/BI/EM*	2x36W	T8 fluorescent	G13	-20 to +40	16.6kg
CURI/436/BI/EM	4x36W	T8 fluorescent	G13	-20 to +40	18.0kg

*Only available in 600mm x 600mm (2 x 18W) and 600mm x 1200mm (2 x 36W) body

Note: All above standard versions are for non modular ceilings. Modular ceiling types require the /MES suffix. Please specify voltage at time of enquiry/order

Options – Suffix to Catalogue No.

/MES	Modular – (Spring 'T' or Exposed 'T' ceiling types)	/25	25mm cable entries
/120	Specific voltage (110/120V)	/LG	Low glare louvre
/254	Specific voltage (254V)	/BMT	Battery monitoring & self test
/SC	Screwed connection terminal block (up to 6mm ² conductors)	/2L	2 lamp emergency mode

Please refer overleaf for ceiling types and dimensions



/LG - Low glare louvre

Accessories Should be ordered separately

Catalogue Order Code

Adjustable arm mounting kit

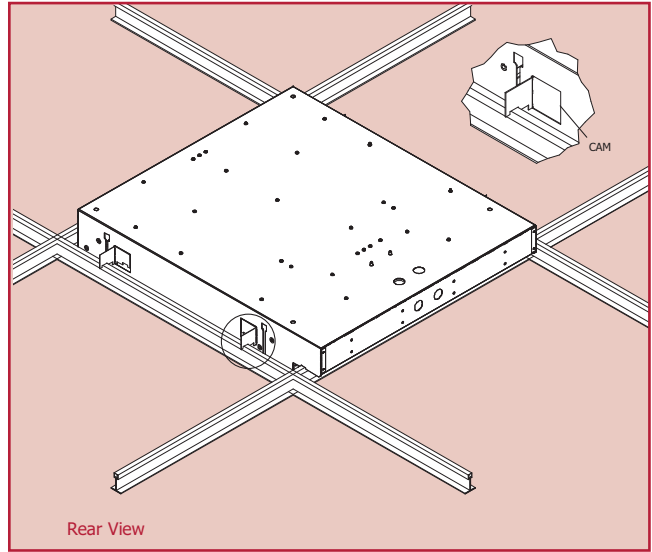
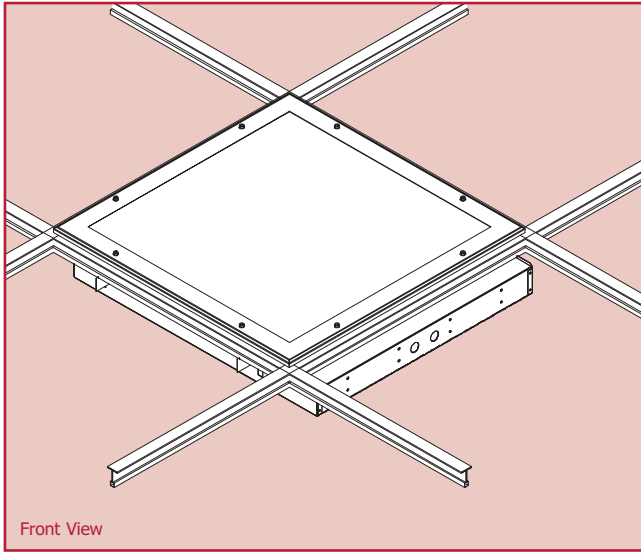
SCURI-000002

Product design and specifications are subject to change without notice, please check the Chalmit® website for latest specifications.

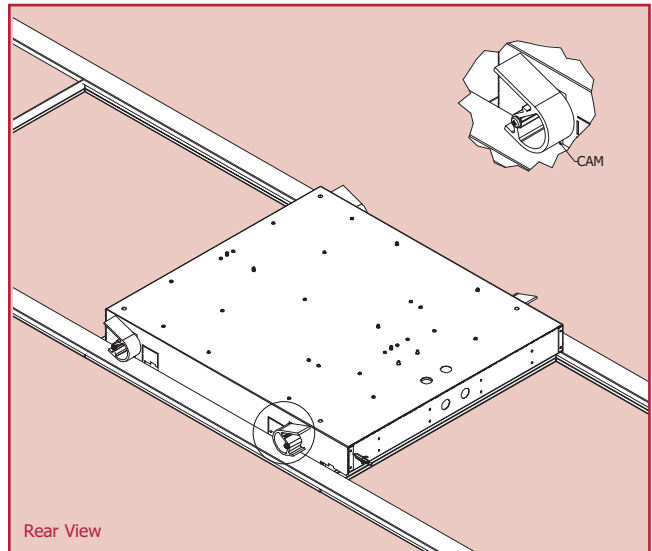
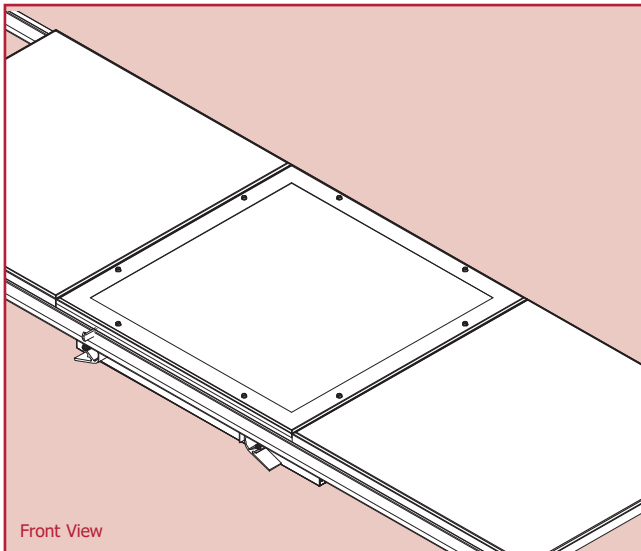


CEILING TYPE OPTIONS

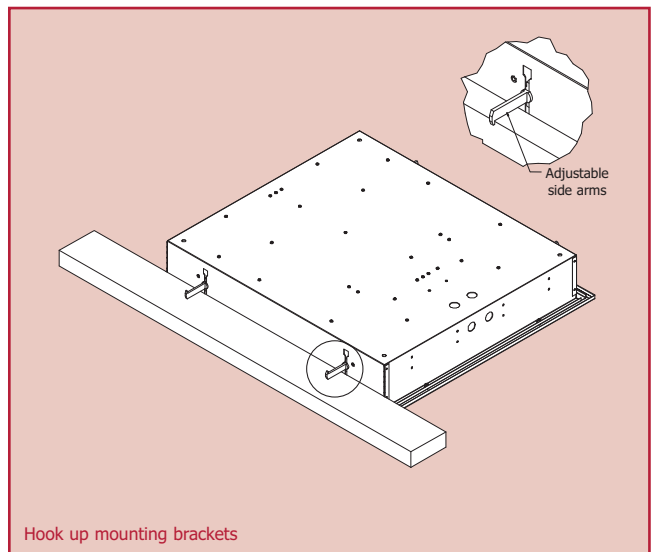
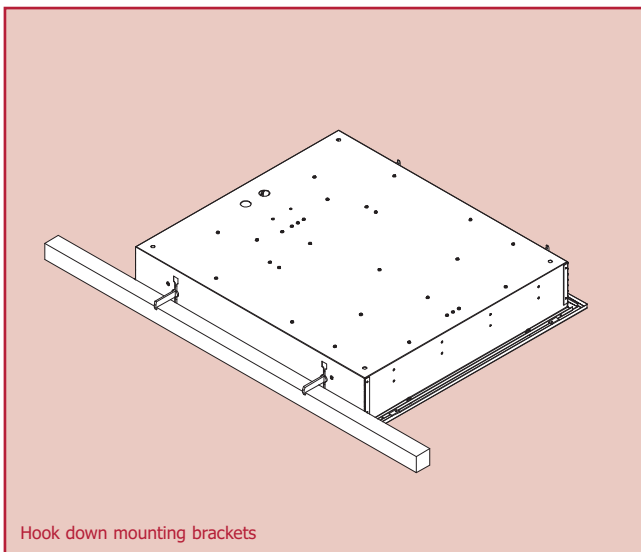
3



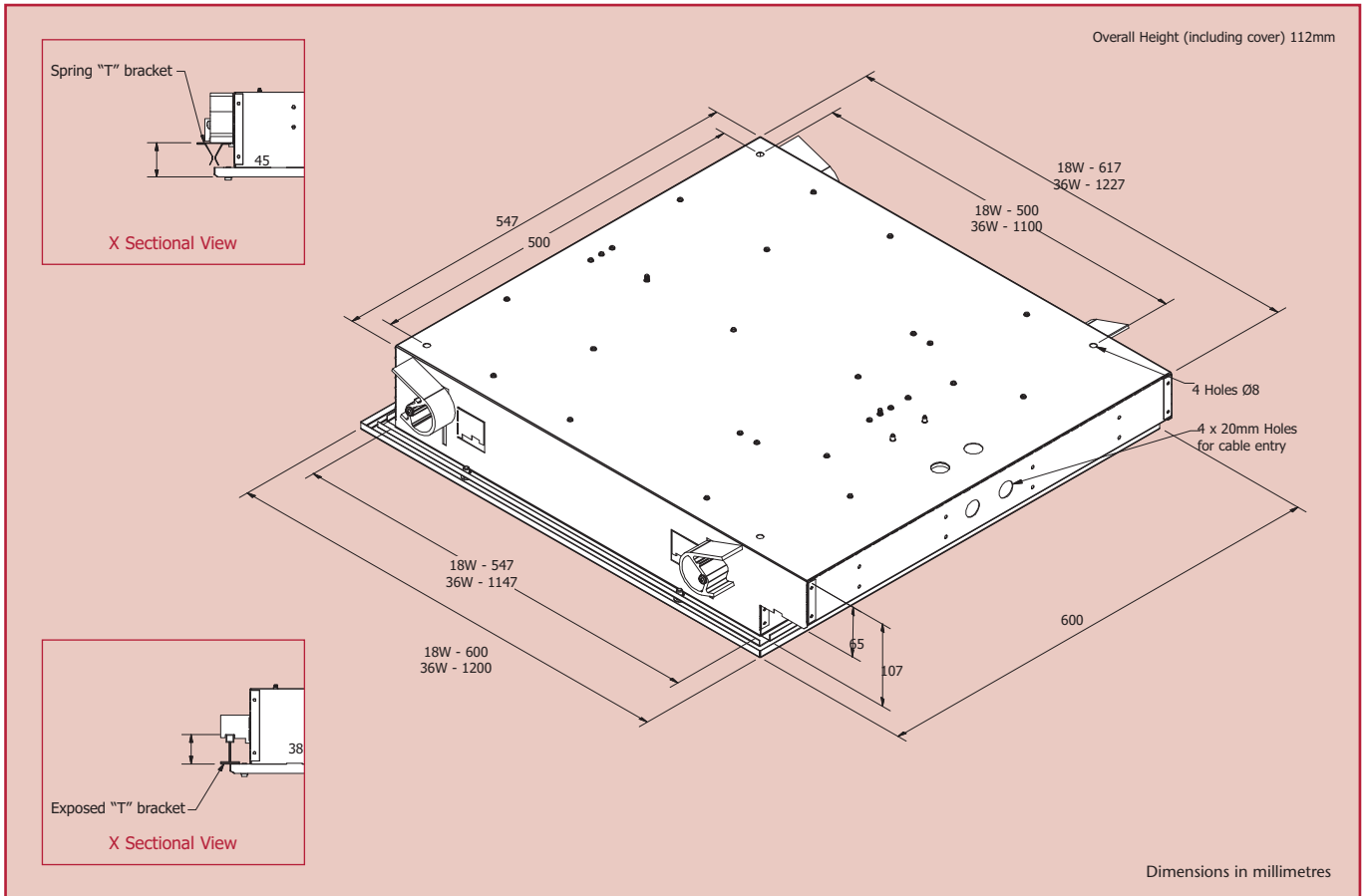
View of Exposed "T" Ceiling with integrated luminaire, typical 600mm x 600mm tile grid mounting system (/MES).



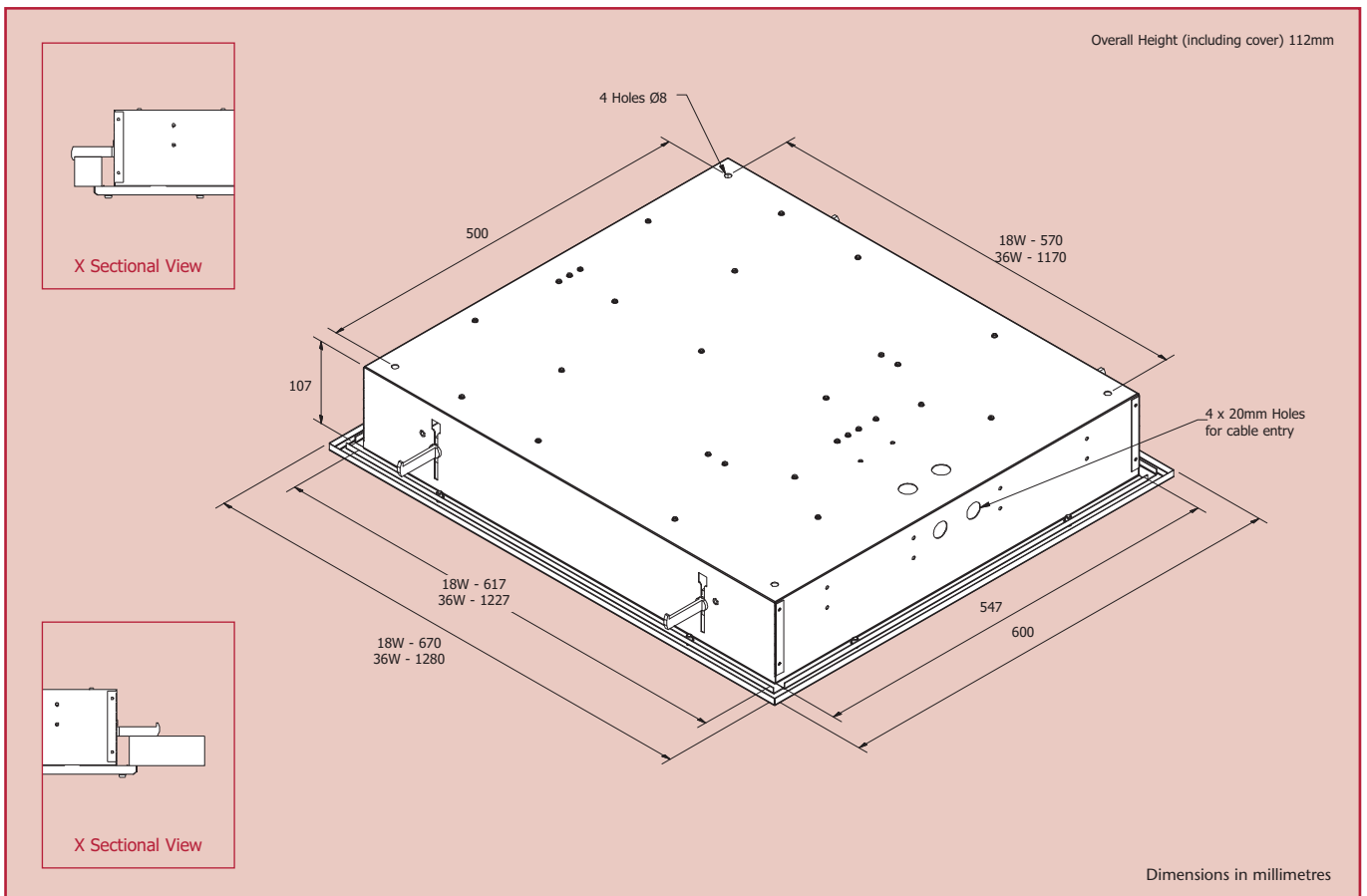
View of Spring "T" Ceiling with integrated luminaire, typical 600mm x 600mm tile grid mounting system (/MES).



View of Solid Ceiling with integrated luminaire.



Exposed "T" and Spring "T" Ceiling types (/MES) dimensions.



Solid Ceiling dimensions.