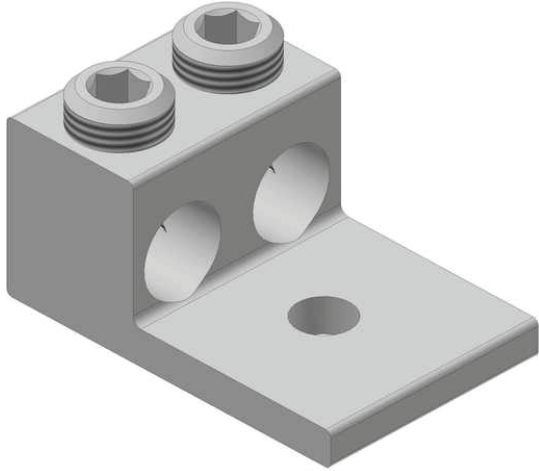


DLA-112

by CMC
Catalog ID: DLA-112



Two-conductor solderless lugs

- Manufactured from high strength 6061-T6 aluminum alloy to ensure both maximum strength and conductivity
- Assembly can be made with only a screwdriver or Allen wrench
- Connectors are reusable
- Electro tin plated to provide low contact resistance

Product Details

General

Material	6061-T6 Aluminum
Type	Bolted Lugs & Terminals

Dimensions

Dimensions	1.47 in x 1.13 in x 0.78 in
Height	0.78 in
Length	1.47 in
Width	1.13 in