



DATE: _____ LOCATION: _____

TYPE: _____ PROJECT: _____

CATALOG #: _____

BCCR20

BRANCH CIRCUIT TRANSFER SWITCH / AUTOMATIC LOAD CONTROL RELAY

FEATURES

- Maximum load: 20 Amps
- 120-277VAC 50/60Hz Operation
- Bypasses local switch or dimmer
- Compatible with all lamp types
- Temperature Range -20°C to 55°C (-4°F to 131°F)
- UL 924 Damp Location & UL1008 Transfer Switch Listed



RELATED PRODUCTS

[ATSD/ATSD20 Auxiliary Transfer Switching Device](#)

SPECIFICATIONS

- The BCCR20 works in conjunction with an emergency lighting inverter or auxiliary generator to power switched and dimmed emergency lighting loads up to 20 Amps
- The device senses the loss of normal power and, in response, switches the lighting load to a designated emergency source
- This allows for a switch or dimmer to be overridden so that full emergency power can be provided to the designated fixtures, regardless of switch position
- The BCCR20 is compatible with all lamp types, although HID type lamps are not recommended as the time to achieve full illumination may not be acceptable to NFPA 101 standards when switching to emergency power from an off position

CONSTRUCTION

- The BCCR20 enclosure and cover are constructed of 20 gauge steel with a gray paint finish and is surface mountable

INSTALLATION

- The BCCR20 does not affect normal fixture operation and comes fully assembled for immediate installation
- In addition to available wiring, the device requires a direct, unswitched connection to a normal power circuit and, depending on the application, an unswitched connection to a generator-supplied or central inverter system-supplied emergency panel. (See second page of datasheet, and BCCR20 Installation Instructions for wiring diagrams of common applications.)

COMPLIANCES

- UL Damp location listed
- UL 1008 Listed (Transfer Switch Equipment)
- UL 924 Listed (Lighting Control Relay)
- NFPA 101 Life Safety Code
- NFPA 70 National Electrical Code

WARRANTY

- Unit and Electronics: 5 years full
- See [HLI Standard Warranty](#) for additional information

ORDERING GUIDE

CATALOG #

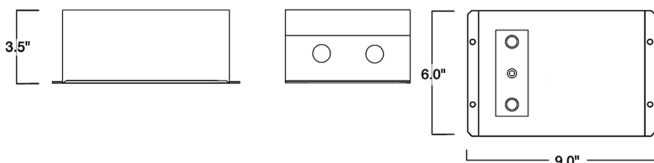
Example: BCCR20

BCCR20

Model

BCCR20 Control Relay Device

DIMENSIONS





DATE: _____ LOCATION: _____

TYPE: _____ PROJECT: _____

CATALOG #: _____

BCCR20

BRANCH CIRCUIT TRANSFER SWITCH / AUTOMATIC LOAD CONTROL RELAY

SPECIFICATIONS

ELECTRONICS

The BCCR20 senses the loss of normal power and switches the lighting load, connecting it to an emergency circuit powered by a central lighting inverter or auxiliary generator. The BCCR20 shall be UL Listed for field installation in indoor or damp locations. The device shall be capable of bypassing the local switching or dimming means when normal utility power has been lost. The device shall consist of relay switching circuitry, a test switch, a normal power indicator light and an alternate power indicator light contained in one 9" x 6" x 3.5" enclosure. Operates at universal input voltage of 120-277VAC, 50/60Hz.

STANDARD FEATURES INCLUDE

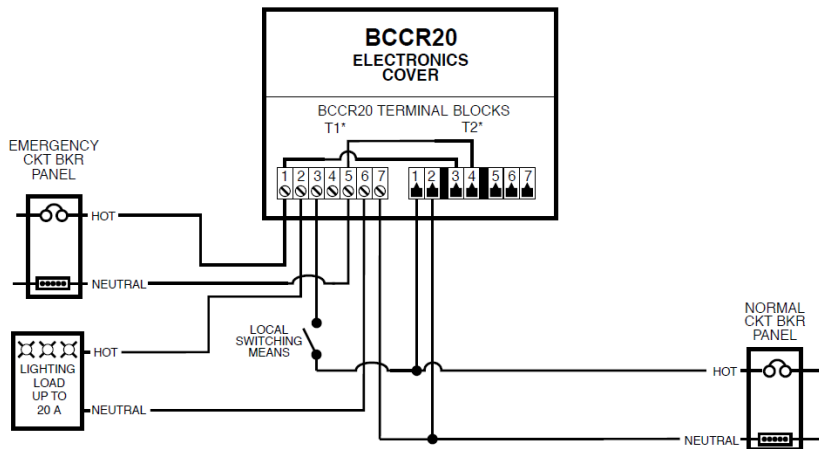
- Maximum load rating: 20 Amps
- Field installation
- Compatible with all lamp types
- Not recommended for use with switched HID lamps
- Surface wall mounting
- Universal Input (120 - 277VAC)

OPERATING TEMPERATURE RANGE

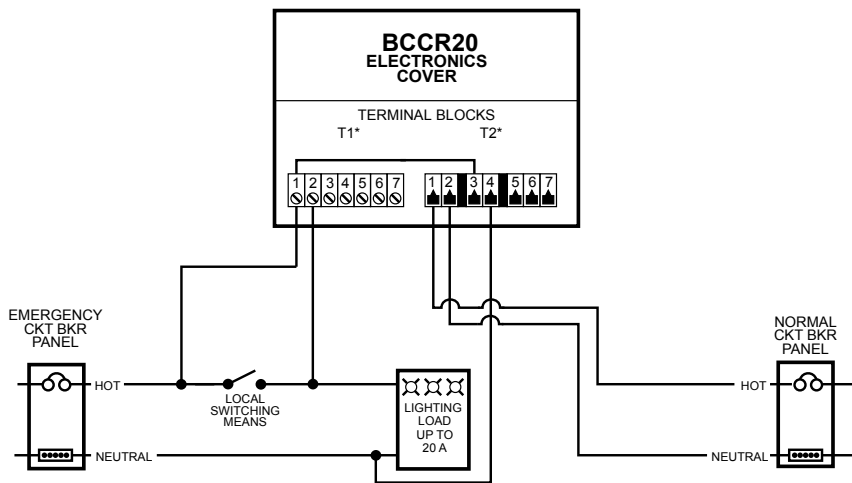
Standard: -4°F to 131°F (-20°C to 55°C)

WIRING DIAGRAMS

BCCR20 AS A UL 1008 BRANCH CIRCUIT TRANSFER SWITCH



BCCR20 AS A UL 924 LOAD CONTROL RELAY



*NOTE: WIRE GAUGES FOR ALL LEADS TERMINATING AT T2 SHOULD BE #18 AWG.
 WIRE GAUGES FOR ALL OTHER CONNECTIONS SHOULD BE SIZED ACCORDING TO TOTAL CONNECTED LIGHTING LOAD
 GROUND UNIT USING SUPPLIED GREEN LEAD WIRE.
 ALL TERMINALS ARE SUITABLE FOR BOTH COPPER AND ALUMINUM WIRE (CU-AL)
 JUMPERS FROM T1 TO T2 MUST BE INSTALLED BY CONTRACTOR