



Catalog # 929

2-1/8" DEEP, 4" ROUND BOX AND KWIK-BRACE® SUPPORT

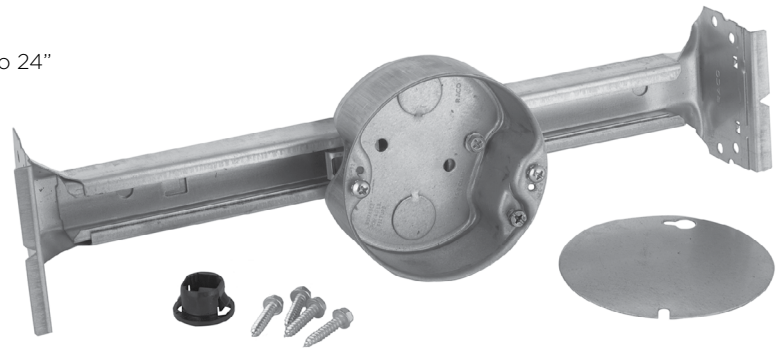
CEILING FAN RATED

APPLICATIONS

2-1/8" deep 4" Round Ceiling Fan-Rated Box with Kwik-Brace® box and support provides extra room for wiring. The heavy-duty fan brace is designed for easy installation in new or existing construction where joists are accessible.

FEATURES

- Support slides apart to accommodate joist spacing from 16" to 24"
- Deeper 4" round box allows more room to work
- Side knockouts provide easy access to pull wires
- Nailing spurs make positioning easy
- Up-front ground screw
- Insider nonmetallic sheathed cable connector included
- Metal protection plate included
- #10-32 ceiling fan screws included, and provides for #8-32 fixture mounting screws
- Easy-to-follow instructions and mounting hardware included

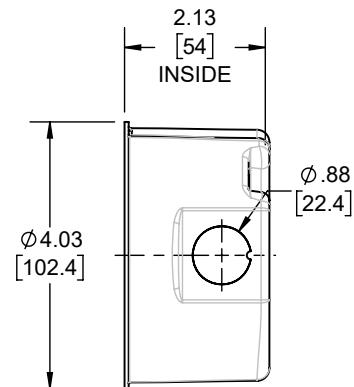


CERTIFICATIONS



RECOMMENDED MAX LOAD

- 16" Joist Span Max Load 70 lbs. Ceiling Fan
- 24" Joist Span Max Load 70 lbs. Ceiling Fan
- 16" Joist Span Max Load 210 lbs. Light Fixture
- 24" Joist Span Max Load 90 lbs. Light Fixture



PRODUCT SPECIFICATIONS

CABLE PRIOUTS:	INSIDER®
DRAWN OR WELDED:	DRAWN
RAISED GROUND:	YES
SIDE KNOCKOUT(S):	(2) - 1/2 IN.
BOTTOM KNOCKOUTS(S):	(2) 1/2 IN.
BOX DEPTH:	2-1/8 IN
CUBIC INCHES (CM3):	22.4
WT. EA. (LBS.):	2.056
PRODUCT LENGTH (IN.):	15
PRODUCT WIDTH (IN.):	4.063
PRODUCT HEIGHT (IN.):	3.50

PACKAGING

STANDARD PACKAGING:	6
PRODUCT UPC-A LABELED:	YES
SHIP CARTON LENGTH (IN.):	16.500
SHIP CARTON WIDTH (IN.):	10.875
SHIP CARTON HEIGHT (IN.):	9.375
CTN WEIGHT (LBS.):	14.5
UPC NUMBER:	050169009291
CASE I2OF5:	50050169009296

