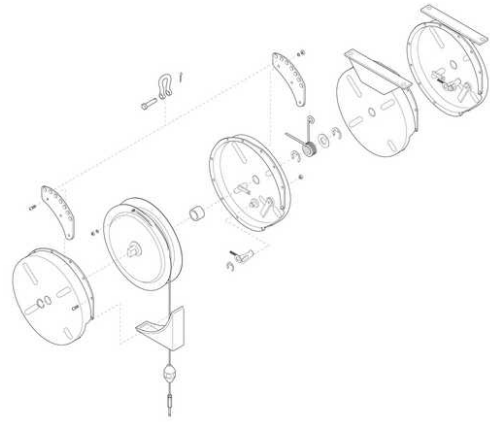




BG07-K02-L, RH Housing with Lock Kit for BG-07

By Gleason Reel
Catalog # [BG07-K02-L](#)

RH Hsng W/Lock Kit BG07.



Features

- Rugged steel construction with black polyester baked finish
- Reinforced hanging bracket with forged clevis for ceiling mounting and extra holes for safety chain attachment
- Spring is permanently lubricated, Includes safety tool clip and adjustable cable stop

General

Series	BG - Heavy Duty
Type	Spare Parts
UPC	783246008350

Product Assets

[Brochures - ToolAssistPro Idea Book](#)
[Brochures - ERGO Tool Balancers](#)
[Catalogs - Tool Assist Pro Ergonomic and Material Handling Products](#)
[Engineering Drawing - BG Series Balance Reel DWG](#)
[Engineering Drawing - BG Series Balance Reel STP](#)
[Engineering Drawing - BG Series Balance Reel DXF](#)
[Product Logo - ToolAssistPro-Logo](#)
[Product Logo - ERGO-YellowMedLogo](#)
[Technical Solutions - GRD-BG07-K02-L-SPEC-EN](#)
[Video - Tool Assist Pro for material handling and ergonomics](#)



A proud member of the Hubbell Family.

©2024 Hubbell Incorporated. All rights reserved.
GRD-BG07-K02-L-SPEC-EN | REV 1/2024