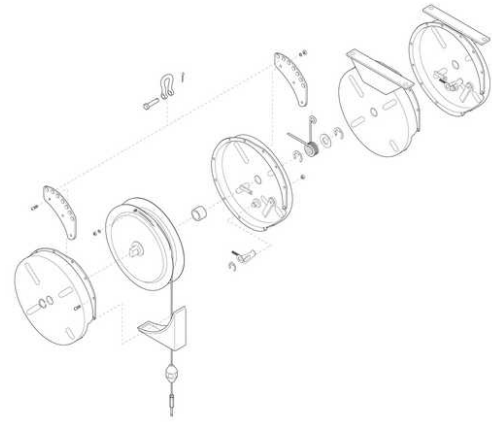




## BG07-K07, Hardware Kit

By Gleason Reel  
Catalog # [BG07-K07](#)

Hardware Kit.



### Features

- Rugged steel construction with black polyester baked finish
- Reinforced hanging bracket with forged clevis for ceiling mounting and extra holes for safety chain attachment
- Spring is permanently lubricated, Includes safety tool clip and adjustable cable stop

### General

Series	BG - Heavy Duty
Type	Spare Parts
UPC	783246008343

### Product Assets

[Brochures - ToolAssistPro Idea Book](#)  
[Brochures - ERGO Tool Balancers](#)  
[Catalogs - Tool Assist Pro Ergonomic and Material Handling Products](#)  
[Engineering Drawing - BG Series Balance Reel DWG](#)  
[Engineering Drawing - BG Series Balance Reel STP](#)  
[Engineering Drawing - BG Series Balance Reel DXF](#)  
[Product Logo - ToolAssistPro-Logo](#)  
[Product Logo - ERGO-YellowMedLogo](#)  
[Technical Solutions - GRD-BG07-K07-SPEC-EN](#)  
[Video - Tool Assist Pro for material handling and ergonomics](#)



A proud member of the Hubbell Family.

©2024 Hubbell Incorporated. All rights reserved.  
GRD-BG07-K07-SPEC-EN | REV 1/2024