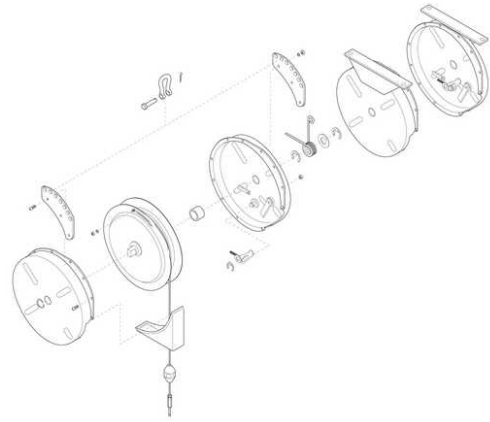




BG20-K03, LH Housing Kit for BG-20

By Gleason Reel
Catalog # [BG20-K03](#)

LH Housing Kit BG20.



Features

- Rugged steel construction with black polyester baked finish
- Reinforced hanging bracket with forged clevis for ceiling mounting and extra holes for safety chain attachment
- Spring is permanently lubricated, Includes safety tool clip and adjustable cable stop

General

Series BG - Heavy Duty
Type Spare Parts

Product Assets

- [Brochures - ToolAssistPro Idea Book](#)
- [Brochures - ERGO Tool Balancers](#)
- [Catalogs - Tool Assist Pro Ergonomic and Material Handling Products](#)
- [Engineering Drawing - BG Series Balance Reel DWG](#)
- [Engineering Drawing - BG Series Balance Reel STP](#)
- [Engineering Drawing - BG Series Balance Reel DXF](#)
- [Product Logo - ToolAssistPro-Logo](#)
- [Product Logo - ERGO-YellowMedLogo](#)
- [Technical Solutions - GRD-BG20-K03-SPEC-EN](#)
- [Video - Tool Assist Pro for material handling and ergonomics](#)



A proud member of the Hubbell Family.

©2024 Hubbell Incorporated. All rights reserved.
GRD-BG20-K03-SPEC-EN | REV 1/2024