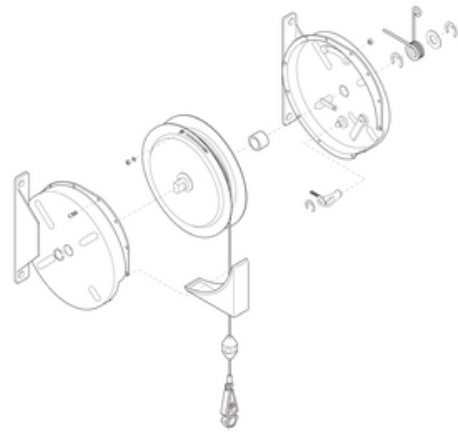




SD2020-K06 SD2050-K06 Hardware Kit

By Gleason Reel
Catalog # [SD2020-K06](#)

SD2050-K06 Hardware Kit



Features

- Rugged Steel Construction
- Positive Ratchet Lock with On/Off Switch
- Compact Enclosed Design

General

Product Category	Grounding
Type	Spare Parts

Product Assets

[Brochures - Pre-Engineered Products - Reels, Cable Track and Festoons, Controls, Automation Components](#)

[Brochures - GROUNDING](#)

[Engineering Drawing - SD Series Static Reel DXF](#)

[Engineering Drawing - SD Series Static Reel DWG](#)

[Installation Manuals - Enclosed Spool Static Discharge Reel](#)

[Instructions and Parts List 609010](#)