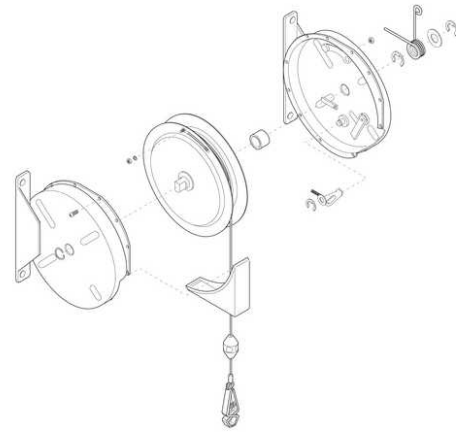




## SD2030-K04 Cable Guide Replacement Kit

By Gleason Reel  
Catalog # [SD2030-K04](#)

Cable Guide Replacement Kit



### Features

- Rugged Steel Construction
- Positive Ratchet Lock with On/Off Switch
- Compact Enclosed Design

### General

Product Category	Grounding
Type	Spare Parts
UPC	783246004802

### Product Assets

[Brochures - GLEASON\\_StatDisc\\_BROCHURE](#)  
[Brochures - Pre-Engineered Products - Reels, Cable Track and Festoons, Controls, Automation Components](#)  
[Engineering Drawing - SD Series Static Reel DXF](#)  
[Engineering Drawing - SD Series Static Reel DWG](#)  
[Installation Manuals - Enclosed Spool Static Discharge Reel Instructions and Parts List 609010](#)



A proud member of the Hubbell Family.

©2024 Hubbell Incorporated. All rights reserved.  
GRD-SD2030-K04-SPEC-EN | REV 1/2024