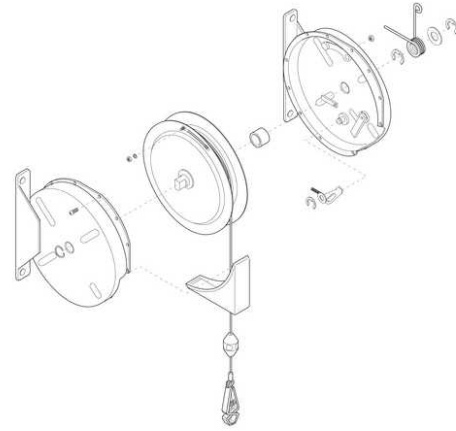




SD2050-K01 Spring Kit SD2050

By Gleason Reel
Catalog # [SD2050-K01](#)

Spring Kit SD2050



Features

- Rugged Steel Construction
- Compact Enclosed Design
- Positive Ratchet Lock with On/Off Switch

General

Product Category	Grounding
Type	Spare Parts
UPC	783246005502

Product Assets

[Brochures - GLEASON_StatDisc_BROCHURE](#)
[Brochures - Pre-Engineered Products - Reels, Cable Track and Festoons, Controls, Automation Components](#)
[Engineering Drawing - SD Series Static Reel DXF](#)
[Engineering Drawing - SD Series Static Reel DWG](#)
[Installation Manuals - Enclosed Spool Static Discharge Reel Instructions and Parts List 609010](#)



A proud member of the Hubbell Family.

©2024 Hubbell Incorporated. All rights reserved.
GRD-SD2050-K01-SPEC-EN | REV 1/2024