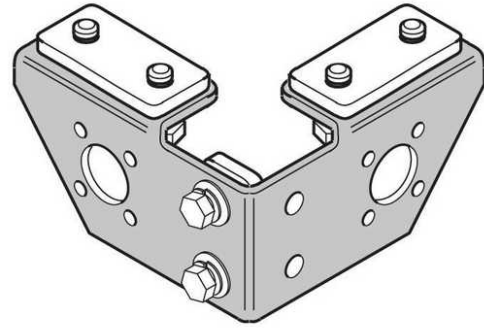




WA-CB Aluminum Track Component - Corner Bracket

By Gleason Reel
Catalog # [WA-CB](#)

Aluminum Track Component - Corner Bracket



Features

- Joint three perpendicular rails

General

Load Capacity	50 lbs
Series	WA50 - Aluminum Rail
Type	Corner Bracket
UPC	783246005700

Product Assets

- [Brochures - ToolAssistPro Idea Book](#)
- [Brochures - GLEASON_Aluminum_BROCHURE](#)
- [Catalogs - Tool Assist Pro Ergonomic and Material Handling Products](#)
- [Product Logo - ToolAssistPro-Logo](#)
- [Video - Tool Assist Pro for material handling and ergonomics](#)



A proud member of the Hubbell Family.

©2024 Hubbell Incorporated. All rights reserved.
GRD-WA-CB-SPEC-EN | REV 1/2024