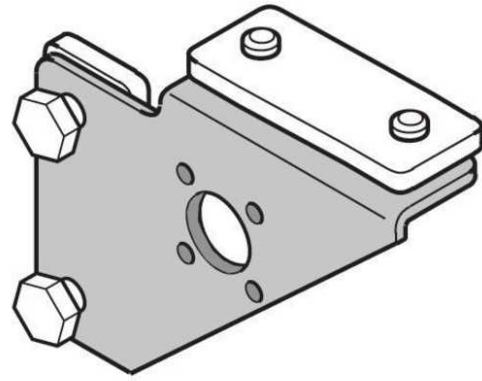




# WA-FBL Aluminum Track Component - Framing Bracket Left Hand

By Gleason Reel  
Catalog # [WA-FBL](#)



Aluminum Track Component - Framing Bracket Left Hand

## Features

- Attach perpendicular to rails
- Mount electrical boxes or hose connectors

## General

Load Capacity	50 lbs
Series	WA50 - Aluminum Rail
Type	Support Bracket
UPC	783246005687

## Product Assets

- [Brochures - ToolAssistPro Idea Book](#)
- [Brochures - GLEASON\\_Aluminum\\_BROCHURE](#)
- [Catalogs - Tool Assist Pro Ergonomic and Material Handling Products](#)
- [Product Logo - ToolAssistPro-Logo](#)
- [Video - Tool Assist Pro for material handling and ergonomics](#)



A proud member of the Hubbell Family.

©2024 Hubbell Incorporated. All rights reserved.  
GRD-WA-FBL-SPEC-EN | REV 1/2024