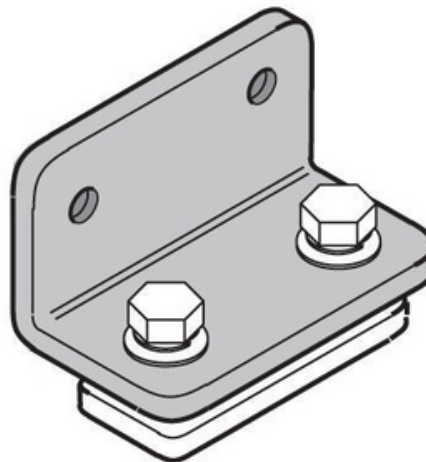




## WA-AMB Aluminum Track Component - Angle Mounting Bracket

By Gleason Reel  
Catalog # [WA-AMB](#)



Aluminum Track Component - Angle Mounting Bracket

### Features

- Hang rail to wall or other vertical support
- Attach sound board,plywood to structure

### General

Catalog Number	WA-AMB
Load Capacity	50 lbs
Series	WA50 - Aluminum Rail
Type	Angle Mount
UPC	783246005748

### Product Assets

- [Brochures - ALUMINUM TRACK COMPONENTS](#)
- [Brochures - ToolAssistPro Idea Book](#)
- [Catalogs - Tool Assist Pro Ergonomic and Material Handling Products](#)
- [Product Logo - ToolAssistPro-Logo](#)
- [Video - Tool Assist Pro for material handling and ergonomics](#)