



SPECIALTY TEXT BUTTONS

BT SERIES

FEATURES

- Available for all HCS wall station types, NXSW, CXSW and LVS
- Available in White, Gray, Ivory, Light Almond, Black and Red
- With or without light-pipe for pilot light functionality
- Easy to install
- 5pt Arial Narrow
- 8 character limit using capital letters
- Large selection of commonly used text options available to choose from
- Custom text printing available upon request (See Custom Text Ordering Forms)



RELATED PRODUCTS

- [NX Smart Switches](#)
- [Low Voltage Switch RJ45 Enabled](#)
- [CX Programmable Switches](#)
- [Low Voltage Switches](#)

ORDERING GUIDE

PRESET OPTION

Example: **BTD-N-L-P-WH-CORRIDOR**

CATALOG # _____

Model	Device	Size	Light Pipe Option	Color	Text
BTD Digital Wall Stations*	N NX	L 1-4 Button Cap	P Light Pipe	WH White	Reference Text Chart (Additional Information page 2 and 3)
BTA Analog Wall Stations**	C CX	S 5-6 Button Cap	N No Light Pipe	IV Ivory	
	R LVSRJ45			GY Gray	
	V LVS†			LA Light Almond	
	D LVSD†			BK Black	
				RD Red	

- Notes:
- * BTD is NX, CX and LVSRJ45 device type models only
 - ** BTA is LVS and LVSD device type models only
 - † LVS and LVSD wall stations only come in 1-4 cap size (L)

TRUE CUSTOM TEXT

Example: **BTD-N-L-N-GY-CT-HUBBELL**

CATALOG # _____

Model	Device	Size	Light Pipe Option	Color	Custom Text	Text
BTD Digital Wall Stations*	N NX	L 1-4 Button Cap	P Light Pipe	WH White	CT ††	True Custom Text entered here (Note character limitations)
BTA Analog Wall Stations**	C CX	S 5-6 Button Cap	N No Light Pipe	IV Ivory		
	R LVSRJ45			GY Gray		
	V LVS†			LA Light Almond		
	D LVSD†			BK Black		
				RD Red		

- Notes:
- * BTD is NX, CX and LVSRJ45 device type models only
 - ** BTA is LVS and LVSD device type models only
 - † No more than 8 characters; spaces count as a character
 - ‡ LVS and LVSD wall stations only come in 1-4 cap size (L)
 - †† CT Option only available for custom text offerings. Order form required.

Custom Text Ordering Forms*

- [CX Wall Station Custom Form](#)
- [NX Wall Station Custom Form](#)
- [LVS Wall Station Custom Form](#)
- [LVSD Wall Station Custom Form](#)
- [LVSRJ45 Wall Station Custom Form](#)

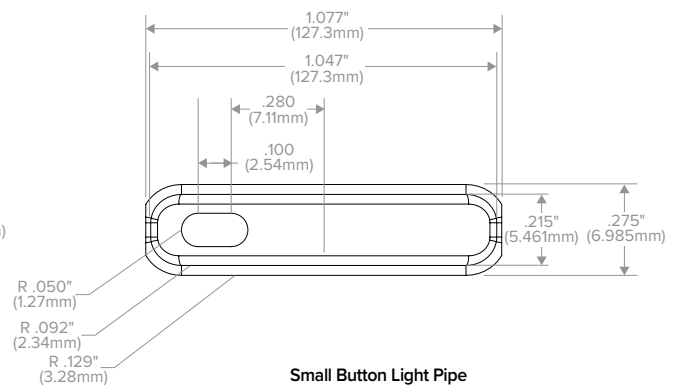
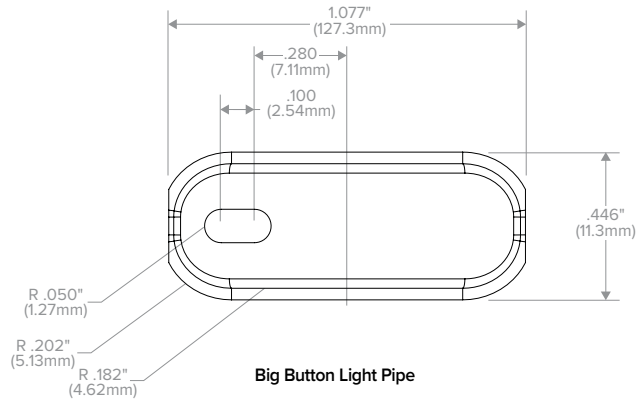
Notes:

- * Downloaded custom order forms, provided to Customer Service, must be in their original, editable PDF format. Scanned, handwritten, faxed, and photo copy versions of the form will not be accepted. Completed Custom Text Order Form must be submitted with button order.

SPECIALTY TEXT BUTTONS

BT SERIES

DIMENSIONS



ADDITIONAL INFORMATION

TEXT	DISPLAYED	DESCRIPTION
ALARM	ALARM	Alarm
AMBIENT	AMBIENT	Ambient
ARROW	▲	Arrow**
AV	AV	Audio Visual
B.O.H.	B.O.H.	Back of House
CALM	CALM	Calm
CSHWRP	CSH WRP	Cash Wrap
CLASSRM	CLASS RM	Classroom
COMBINE1	COMBINE 1	Combine 1
COMBINE2	COMBINE 2	Combine 2
COMBINE3	COMBINE 3	Combine 3
COMBINE4	COMBINE 4	Combine 4
CORRIDOR	CORRIDOR	Corridor
COVE	COVE	Cove
DWNLT	DWN LT	Down light
EXAM	EXAM	Exam
FOCUS	FOCUS	Focus
F.O.H.	F.O.H.	Front of theHouse
GENERAL	GENERAL	General
GYM	GYM	Gym
HIGH	HIGH	High
KITCHEN	KITCHEN	Kitchen
LINEAR	LINEAR	Linear
LOBBY	LOBBY	Lobby
LOW	LOW	Low
MAIN	MAIN	Main
MEDIUM	MEDIUM	Medium

TEXT	DISPLAYED	DESCRIPTION
PARKING	PARKING	Parking
PENDANT	PENDANT	Pendant
POLES	POLES	Poles
PRESN	PRESN	Presentation
PRESET	PRESET	Preset
PRESET1	PRESET 1	Preset 1
PRESET2	PRESET 2	Preset 2
PRESET3	PRESET 3	Preset 3
PRESET4	PRESET 4	Preset 4
PRESET5	PRESET 5	Preset 5
PRESET6	PRESET 6	Preset 6
READ	READ	Read
ROW1	ROW 1	Row 1
ROW2	ROW 2	Row 2
ROW3	ROW 3	Row 3
ROW4	ROW 4	Row 4
SALES	SALES	Sales
SALESA	SALES A	Sales A
SALESB	SALES B	Sales B
SIGN	SIGN	Sign
SIGNWIN	SIGN/WIN	Sign / Windows
SKYLIGHT	SKYLIGHT	Skylight
STOCK	STOCK	Stock
STOCKA	STOCK A	Stock A
STOCKB	STOCK B	Stock B
TEACHER	TEACHER	Teacher
TESTING	TESTING	Testing

**No light pipe option available for OFF and "Arrow" button cap

DATE: _____ LOCATION: _____

TYPE: _____ PROJECT: _____

CATALOG #: _____

SPECIALTY TEXT BUTTONS

BT SERIES

ADDITIONAL INFORMATION (CONTINUED)

TEXT	DISPLAYED	DESCRIPTION
MEN	MEN	Men
MEETING	MEETING	Meeting
NGHTLT	NGHT LT	Night Light
NORMAL	NORMAL	Normal
OFF	OFF	Off**
ON	ON	On
ONOFF	ON/OFF	On/Off

TEXT	DISPLAYED	DESCRIPTION
TRACK	TRACK	Track
VEST	VEST	Vestibule
WALL	WALL	Wall
WHSE	WHSE	Warehouse
WHITEBOARD	WHTBRD	Whiteboard
WOMEN	WOMEN	Women
WORK	WORK	Work
BLANK		No printed text

**No light pipe option available for OFF and "Arrow" button cap