



HDL106N

Ex e LED Floodlight

The **HDL106N** is a lightweight and compact Zone 1 floodlight which can be interlinked to provide an effective LED alternative to traditional HID floodlights, up to 250W.

With a variety of beam options, extensive ambient range and marine grade construction, this is a global lighting solution to suit any harsh and hazardous application.



Mounting Options

Floodlight. Pendant. Bulkhead. High Bay. Pole/Column. Road Lighting.

Standard Specification

HDL106N Ex e LED Floodlight

Type of Protection	Ex e mb (Increased Safety, Encapsulation) Ex tb (Dust Protected Enclosure)
ATEX Classification	Group II Category 2 GD
Area Classification	Zone 1 and 21 areas to EN 60079-10-1 and EN 60079-10-2 with installation to EN 60079-14
Certificate	EU Type Examination Certificate Sira 09ATEX5159X IECEX Certificate of Conformity IECEX SIR 09.0064X
Coding	Ex e mb IIC T4/T3 Gb Ex tb IIIC T103°C Db
Ambient °C	-20 to +50 (T4) / +59.5 (T3)
Enclosure	LM6 Aluminium with epoxy powder finish (RAL 7035) and Polycarbonate diffuser
Entry	2 x M20 cable entries
Termination	3 core 4mm ² max. conductor with looping
Installation	Stirrup mounting bracket
Control Gear	Electronic Driver
Colour Temperature (CCT)	Refer to Ordering Matrix
Colour Rendering Index (Ra)	>70
Maintenance	M8 Hex Head and M6 SKT Head
Ingress Protection	IP66/67 to EN 60529
Surge Protection	4kV line to line, 6kV line to earth
Electrical Supply	Refer to Ordering Matrix

Features

- ◆ Highly **Energy Efficient**
- ◆ **Instant on** crisp white light output
- ◆ **Modular design** allowing up to four interlinked luminaires, each providing a delivered output > 5500lm
- ◆ **Lower power consumption** than HID lamps
- ◆ **Lightweight** (6kg per module) lighting solution
- ◆ **>150,000 maintenance free hours** at 25°C (L70)

HDL106N							
Version ¹	Voltage	Beam Pattern ³	Mount	Light (CCT)	Cable Entries	Material & Paint	Options
0 – 24 LEDs [27W] 1 – 48 LEDs [53W] 2 – 96 LEDs [103W] 3 – 144 LEDs [155W] 4 – 192 LEDs [206W]	H – 100-254V AC L – 18-54V AC/DC ²	N – Narrow (6565lm) M – Medium (5882lm) W – Wide (5624lm) X – Extra Wide (5547lm)	H – Horizontal Mount [single unit] V – Vertical Mount [multiple units] C – Ceiling Mount	W – Cool White (5000K)	0 – M20 5 – M25 OBP – M20 Brass Nickel Plated Plugs 5BP – M25 Brass Nickel Plated Plugs	04 – LM6 Aluminium RAL 7035 (Grey)	FG – Glass front cover ⁴ RCG – Rapid Connection Gland for single entry ⁵ RCGL – Rapid Connection Gland for looping ⁵

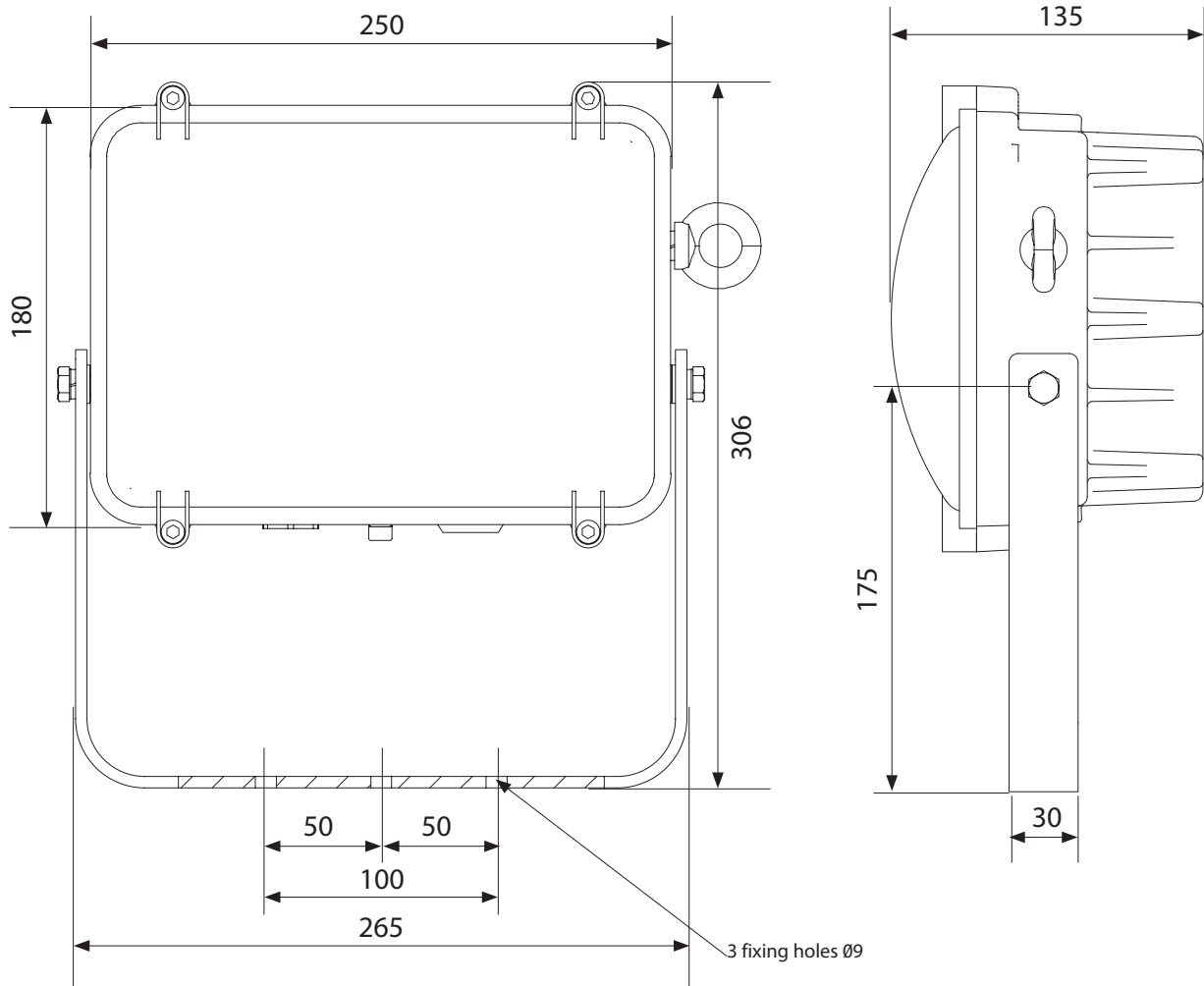
¹Power consumption provided in square brackets
²Upper ambient becomes +55°C. Coding becomes 'Ex e mb IIC T4 Gb; Ex tb IIIC T87°C Db'
³Delivered outputs based on single module 48LED version
⁴Standard Cover Front Clear Polycarbonate (No Abbreviation required)
⁵Factory fitted with 4pin Rapid Connection Gland entry only. Purchaser to supply appropriately sized RCG body as determined by site specific cable requirement.

Typical ordering reference: **HDL106N1HWHW004FG**

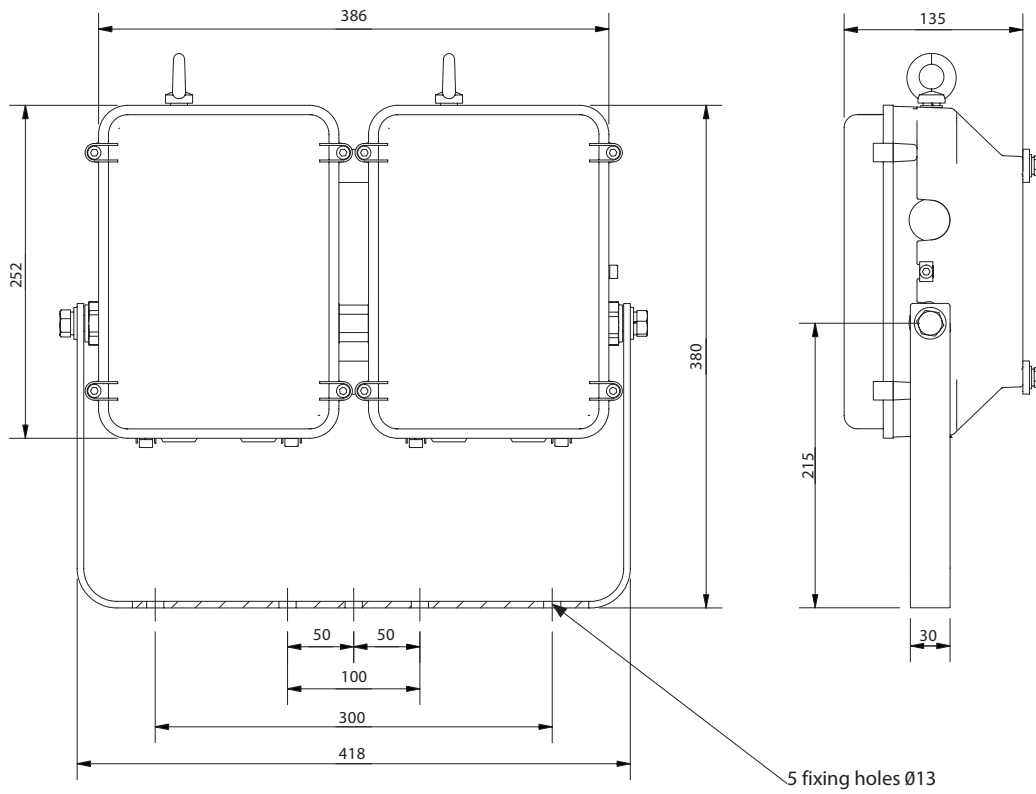
Accessories *Should be ordered separately*

	Order Code
Crane Damper Bracket (96 LEDs Twin Module)	SHDL1-000002
Crane Damper Bracket (144 LEDs Triple Module)	SHDL1-000003

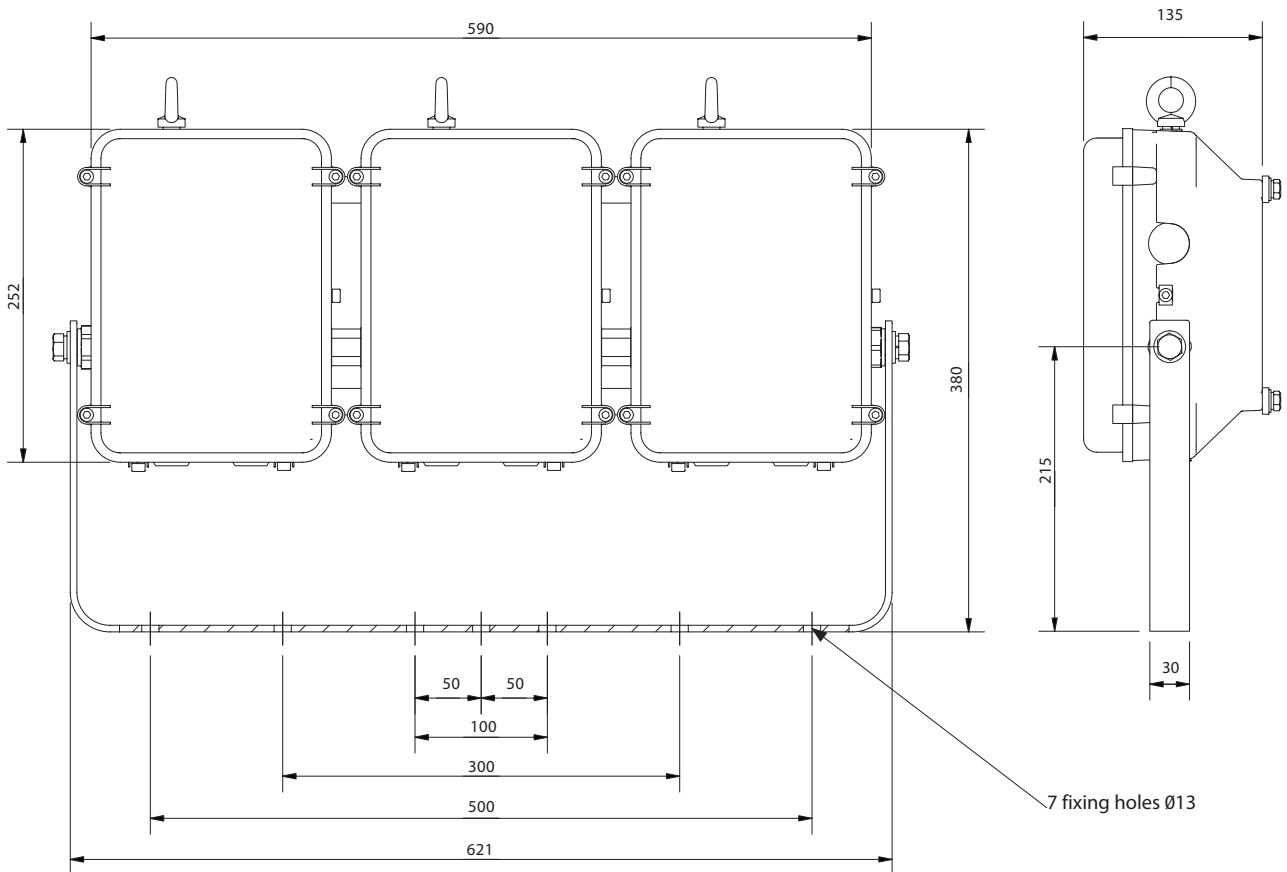
Single unit (24/48 LEDs)



Double unit (96 LEDs)



Triple unit (144 LEDs)



Quadruple unit (192 LEDs)

