



HDL106NE

Ex e LED Floodlight

The **HDL106NE** is a distinctive Emergency LED luminaire allowing up to three modules interlinked, providing an effective and efficient alternative to traditional battery-backed luminaires. With a variety of beam options available, and integral battery backup allowing for either 90 minutes or 3 hours battery duration, this is a flexible solution for any Emergency or Escape to Sea application.



Mounting Options

Floodlight. Pendant. Bulkhead. High Bay. Pole/Column. Road Lighting.

Standard Specification

HDL106NE Ex e LED Floodlight

| | |
|-----------------------------|--|
| Type of Protection | Ex e mb (Increased Safety, Encapsulation) Ex tb (Dust Protected Enclosure) |
| ATEX Classification | Group II Category 2 GD |
| Area Classification | Zone 1 and 21 areas to EN 60079-10-1 and EN 60079-10-2 with installation to EN 60079-14 |
| Certificate | EU Type Examination Certificate Sira 09ATEX5159X IECEx Certificate of Conformity IECEx SIR 09.0064X |
| Coding | Ex e mb IIC T4 Gb Ex tb IIIC T103°C Db |
| Ambient °C | -20 to +50 |
| Enclosure | LM6 Aluminium with epoxy powder finish (RAL 7035) and Polycarbonate diffuser |
| Entry | 2 x M20 cable entries |
| Termination | 4 core 4mm ² max. conductor with looping |
| Installation | Stirrup mounting bracket |
| Control Gear | Electronic Driver |
| Colour Temperature (CCT) | Refer to Ordering Matrix |
| Colour Rendering Index (Ra) | >70 |
| Maintenance | M8 Hex Head and M6 SKT Head |
| Emergency Duration | 90mins (75%) or 3hrs (37.5%) |
| Ingress Protection | IP66/67 to EN 60529 |
| Surge Protection | 4kV line to line, 6kV line to earth |
| Electrical Supply | 100-254V AC 50/60Hz |

Features

- ◆ Highly **Energy Efficient**
- ◆ **Instant on** crisp white light output
- ◆ **Modular design** allowing up to three interlinked luminaires, each providing a delivered output > 5500lm
- ◆ **Lower power consumption** than HID lamps
- ◆ **Lightweight** (9kg per module) lighting solution
- ◆ **>150,000 maintenance free hours** at 25°C (L70)

| HDL106N | | | | | |
|---|--------------------------------|-------------------------------|--|---|---|
| Version ¹ | Beam Pattern ² | Light (CCT) | Cable Entries | Material & Paint | Options |
| E – EM (48 LEDs) [62W] | N – Narrow (6565lm) | W – Cool White (5000K) | 0 – M20 5 – M25 OBP - M20 Brass Nickel Plated Plugs SBP - M25 Brass Nickel Plated Plugs | 04 – LM6 Aluminium RAL 7035 (Grey) | FG – Glass front cover ³ |
| ES – EM/Std (96 LEDs) [113W] | M – Medium (5882lm) | | | | BNI – Batteries Not Included ⁴ |
| EE – EM/EM (96 LEDs) [122W] | W – Wide (5624lm) | | | | RCG – Rapid Connection Gland for single entry ⁵ |
| SES – Std/EM/Std (144 LEDs) [165W] | X – Extra Wide (5547lm) | | | | RCGL – Rapid Connection Glands for looping ⁵ |
| ESE – EM/Std/EM (144 LEDs) [174W] | | | | | |
| EEE – EM/EM/EM (144 LEDs) [184W] | | | | | |

¹ Power consumption provided in square brackets

² Delivered outputs based on single module 48LED version

³ Standard Cover Front Clear Polycarbonate (No Abbreviation required)

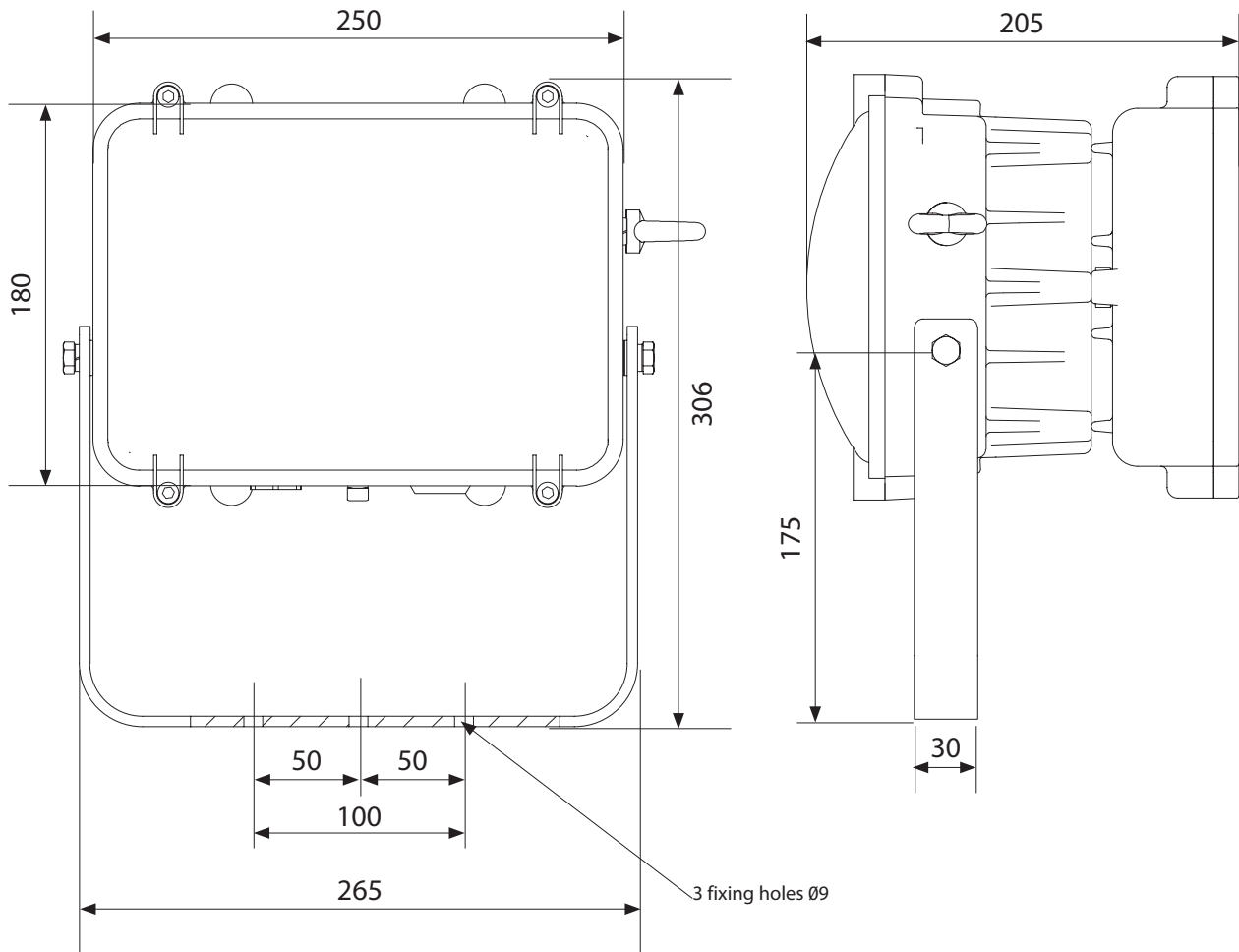
⁴ Battery assembly HDLAL11131S to be ordered separately when required by site. Qty 1 HDLAL11131S assembly per emergency unit

e.g. HDL106NESE*** requires Qty 2 HDLAL11131S.

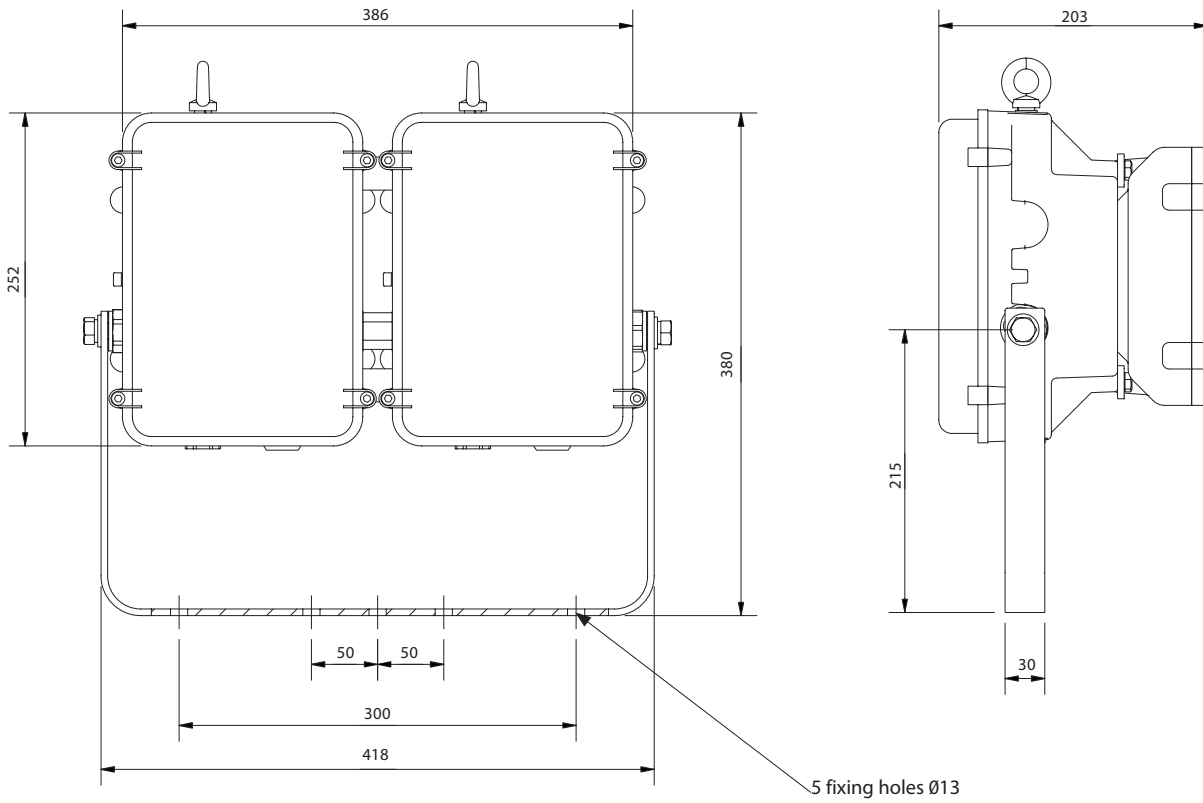
⁵ Factory fitted with 4pin Rapid Connection Gland entry only. Purchaser to supply appropriately sized RCG body as determined by site specific cable requirement.

Typical ordering reference: **HDL106NESMW004FG**

Single unit (48 LEDs)



Double unit (96 LEDs)



Triple unit (144 LEDs)

