



HDL206N

Ex e LED Floodlight

The **HDL206N** is an outstanding luminaire allowing up to four modules interlinked, providing an effective and efficient replacement for conventional high power HID floodlights, up to 250W.

With multiple beam options available, and a wide ambient range, this is a truly universal solution for all Zone 2 applications.



Mounting Options

Floodlight. Pendant. Bulkhead. High Bay. Pole/Column. Road Lighting.

Standard Specification

HDL206N Ex e LED Floodlight

Type of Protection	Ex e mb (Increased Safety, Encapsulation) Ex tb (Dust Protected Enclosure)
ATEX Classification	Group II Category 3 GD
Area Classification	Zone 2 and Zone 22 areas to EN 60079-10-1 and EN 60079-10-2 with installation to EN 60079-14
Certificate	Type Examination Certificate Sira 11ATEX4314X
Coding	Ex e mb IIC T4/T3 Gc Ex tb IIIC T103°C Dc
Ambient °C	-20 to +50 (T4) / +59.5 (T3)
Enclosure	LM6 Aluminium with epoxy powder finish (RAL 7035) and Polycarbonate diffuser
Entry	2 x M20 cable entries
Termination	3 core 4mm ² max. conductor with looping
Installation	Stirrup mounting bracket
Control Gear	Electronic Driver
Colour Temperature (CCT)	Refer to Ordering Matrix
Colour Rendering Index (Ra)	>70
Maintenance	M8 Hex Head and M6 SKT Head
Ingress Protection	IP66/67 to EN 60529
Surge Protection	4kV line to line, 6kV line to earth
Electrical Supply	Refer to Ordering Matrix

Features

- ◆ Highly **Energy Efficient**
- ◆ **Instant on** crisp white light output
- ◆ **Modular design** allowing up to four interlinked luminaires, each providing a delivered output > 5500lm
- ◆ **Lower power consumption** than HID lamps
- ◆ **Lightweight** (6kg per module) lighting solution
- ◆ **150,000 maintenance free hours at 25° (L70)**

HDL206N							
Version*	Voltage	Beam Pattern***	Mount	Light (CCT)	Cable Entries	Material & Paint	Cover ****
0 – 24 LEDs [27W] 1 – 48 LEDs [53W] 2 – 96 LEDs [103W] 3 – 144 LEDs [155W] 4 – 192 LEDs [206W]	H – 100-254V AC L – 18-54V AC/DC**	N – Narrow (6565lm) M – Medium (5882lm) W – Wide (5624lm) X – Extra Wide (5547lm)	H – Horizontal Mount [single unit] V – Vertical Mount [multiple units] C – Ceiling Mount	W – Cool White (5000K) X – Warm White (3000K)	0 – M20 5 – M25 0BP – M20 Brass Nickel Plated Plugs 5BP – M25 Brass Nickel Plated Plugs	04 – RAL 7035 (Grey)	FG – Glass front cover

*Power consumption provided in square brackets

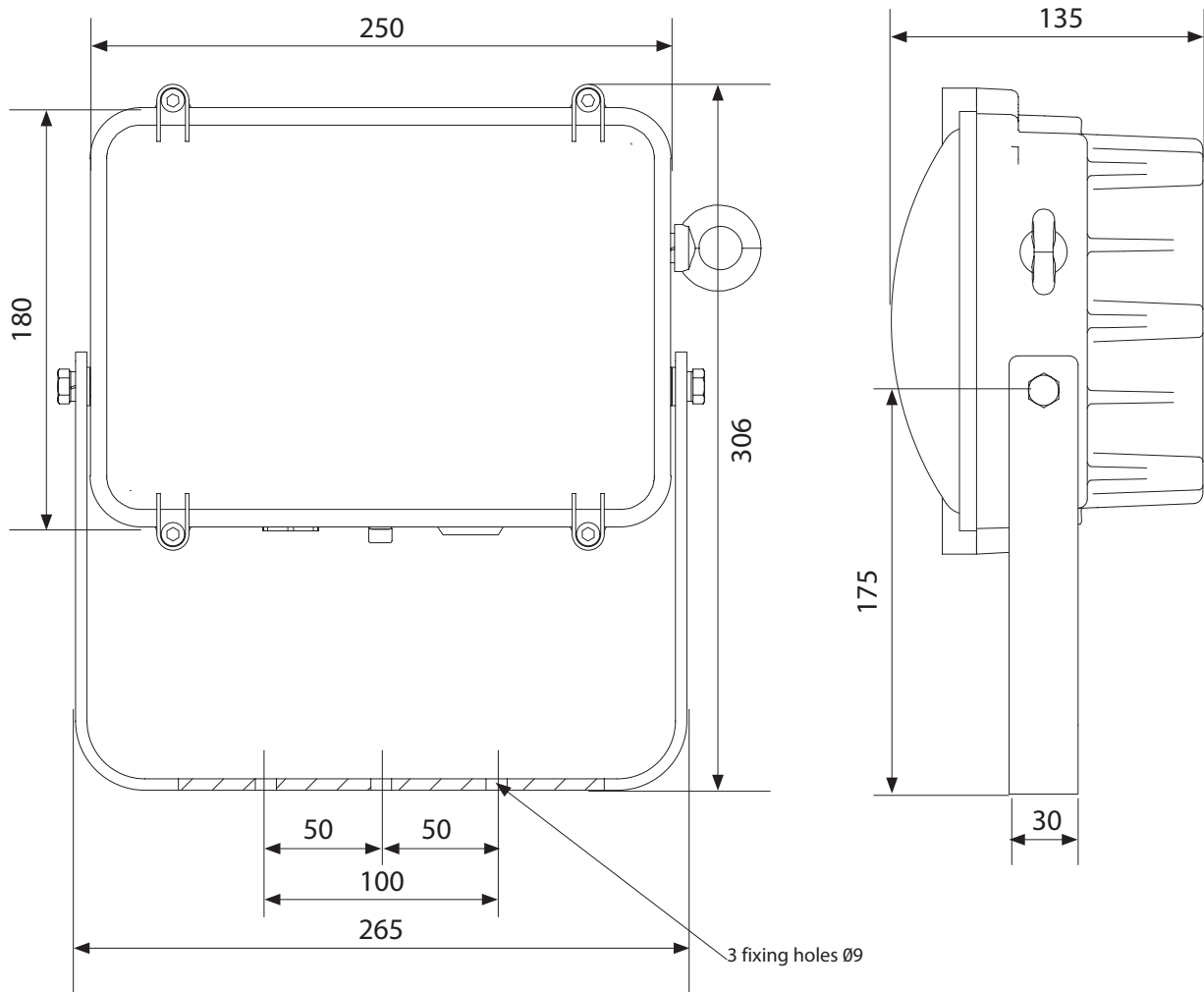
**Upper ambient becomes +55°C. Coding becomes 'Ex e mb IIC T4 Gb; Ex tb IIIC T87°C Db'

***Delivered outputs based on single module 48LED version

**** Standard Cover Front Clear Polycarbonate (No Abbreviation required)

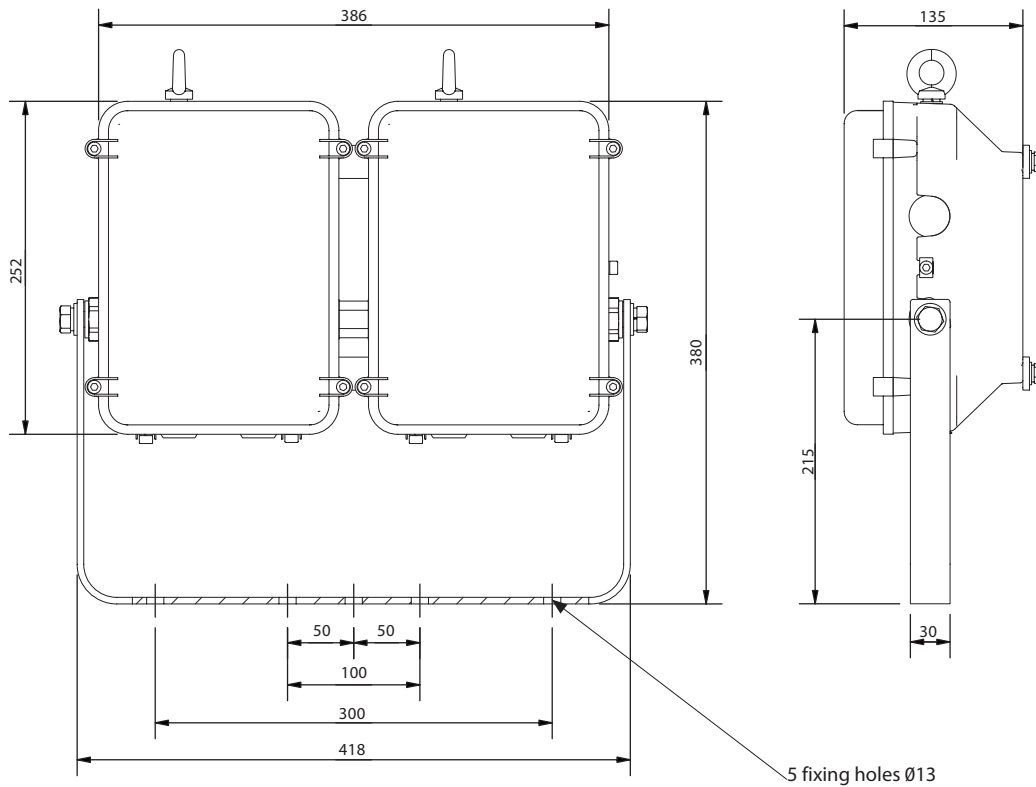
Typical ordering reference: **HDL206N1HWHW004**

Single unit (24/48 LEDs)

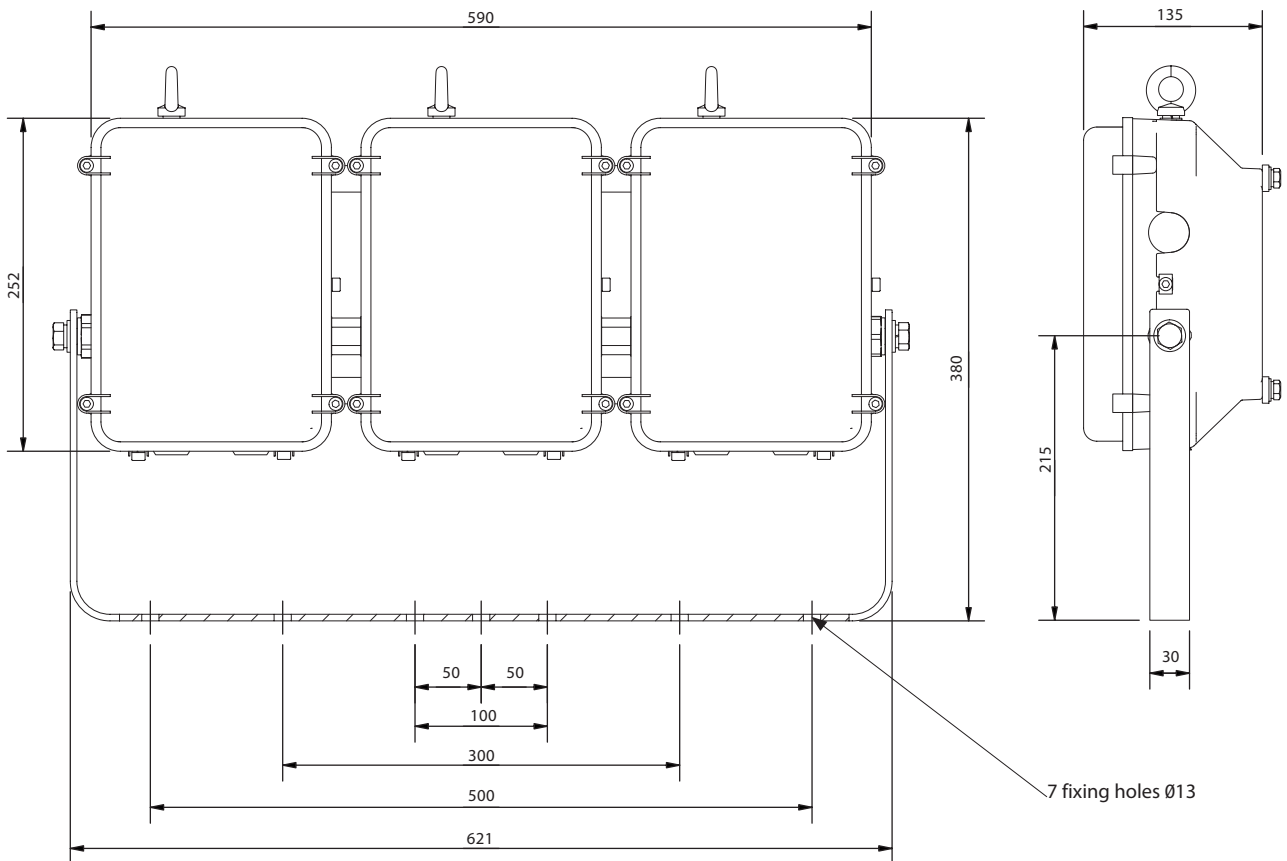


HH-CHL-Mult-HDL206N-SPEC-UK-2022-00226 V5 September 2022

Double unit (96 LEDs)



Triple unit (144 LEDs)



Quadruple unit (192 LEDs)

