



PROTECTA X UL

LED Linear

The next generation in LED linear luminaires, the Protecta X's revolutionary design puts LED at the centre to provide the performance of a 4ft linear in a lightweight and slimline package. Offering a robust enclosure, excellent IP and a variety of features to make installation and maintenance effortless, the Protecta X is ideal for industrial environments. Expected useful life to 70% of the initial lumens (L70) is >200,000 hours at 25°C, with an incredible 90,000 maintenance free hours at 60°C. For a luminaire with the longest life, the highest output and market-leading efficacy, choose the Protecta X.

With approvals to UL 1598, UL 1598/A & UL 924 the Protecta X UL will perform in the harshest of environments.



Mounting Options

Ceiling. Wall. Suspended. Pole. Handrail

Standard Specification

Protecta X UL LED Linear

Enclosure	Marine grade aluminium body with polycarbonate diffuser. Driver enclosure with epoxy powder finish (RAL 9005)
Geartray	Aluminium
Entry	4 x M20 cable entries - 2 at each end
Termination	3 core 4mm ² max conductor [4 core on Emergency] with looping one end and 16A rating through wiring
Installation	2 x M8 mounting points located on the rear of the body
Control Gear	Electronic Driver
Optical Distribution	Wide beam
Colour Temperature (CCT)	5000K (Cool White)
Colour Rendering Index (Ra)	>80
Maintenance	Front access panel with Torx screws
LED Lifetime @ 60°C Ambient	L70 > 200,000hrs
System Life @ Ambient	120,000hrs @ 25°C & 90,000hrs @ 60°C (non-emergency) 120,000hrs @ 25°C & 75,000hrs @ 50°C (emergency - excluding battery)
Battery	Internal Lithium Ion LiFePO ₄ , 6.4V [Emergency version only]
Emergency Duration	90 mins (02L = 41% output; 05L = 21% output) [ASL/ASW Asymmetric versions - 3hours only]
Impact Protection	IK10
Ingress Protection	IP66/67 to EN 60529
Surge Protection	4kV
Electrical Supply	110-277V AC, 50/60Hz. 127-250V DC (non-emergency only)

Features

- ◆ Highly **Energy Efficient** >135lm/W
- ◆ **Battery management** and automatic self test
- ◆ **Multiple beam** distributions available
- ◆ **Front access cover** with screwless mains terminals for easy termination
- ◆ **>90,000 maintenance free hours** at 60°C

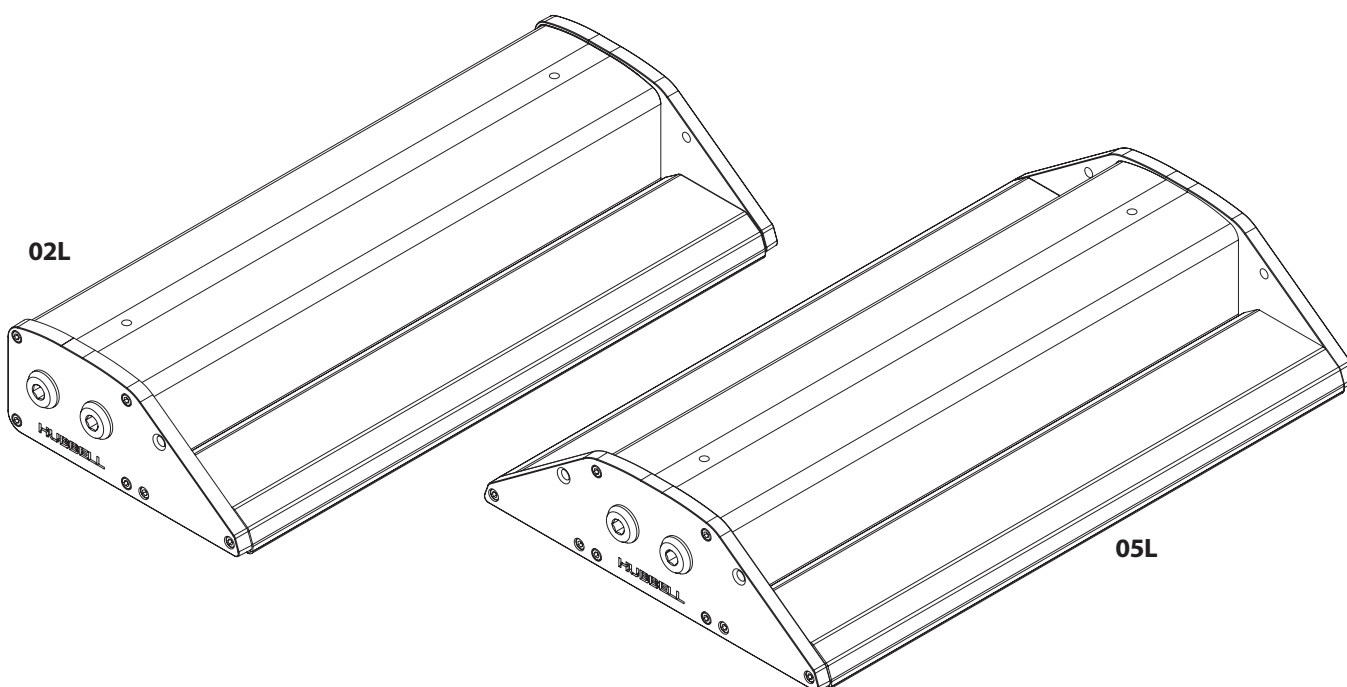
Std. Cat No.	Delivered Output	Power Consumption	Ambient °C	Weight
PRXI/02L/LE/UL	2696 lm	16W	-40 to +60	6.8kg
PRXI/05L/LE/UL	5230 lm	35W	-40 to +60	8.8kg
PRXI/02L/LE/EMI/UL	2696 lm	19W	to +50	7.3kg
PRXI/05L/LE/EMI/UL	5230 lm	38W	to +50	9.3kg

Options - Suffix to Catalogue No.			
/M25	M25 cable entries	/3H	3 hour battery duration (02L = 21% output; 05L = 11% output) [Standard on ASW or ASL versions]
/LBE	Looping both ends	/4K	4000K (Neutral White) LED Strips [May be subject to minimum order quantity]
/EL	Extra live termination facility (to match emergency circuit) [Non Emergency only, Not available with /SC]	/SC	Screwed connection terminal block (up to 6mm ² conductors) [Non Emergency only]
/NST	Non Self Test [Emergency version only]	/DM	DALI Dimmable driver (non-emergency only)
/ASL	Asymmetric along length optic	/M	Medium beam optic
/ASW	Asymmetric along width optic [05L version only]	/BP	Nickel plated brass plugs
/OD	Opal diffuser (max. 30% reduction in output)		

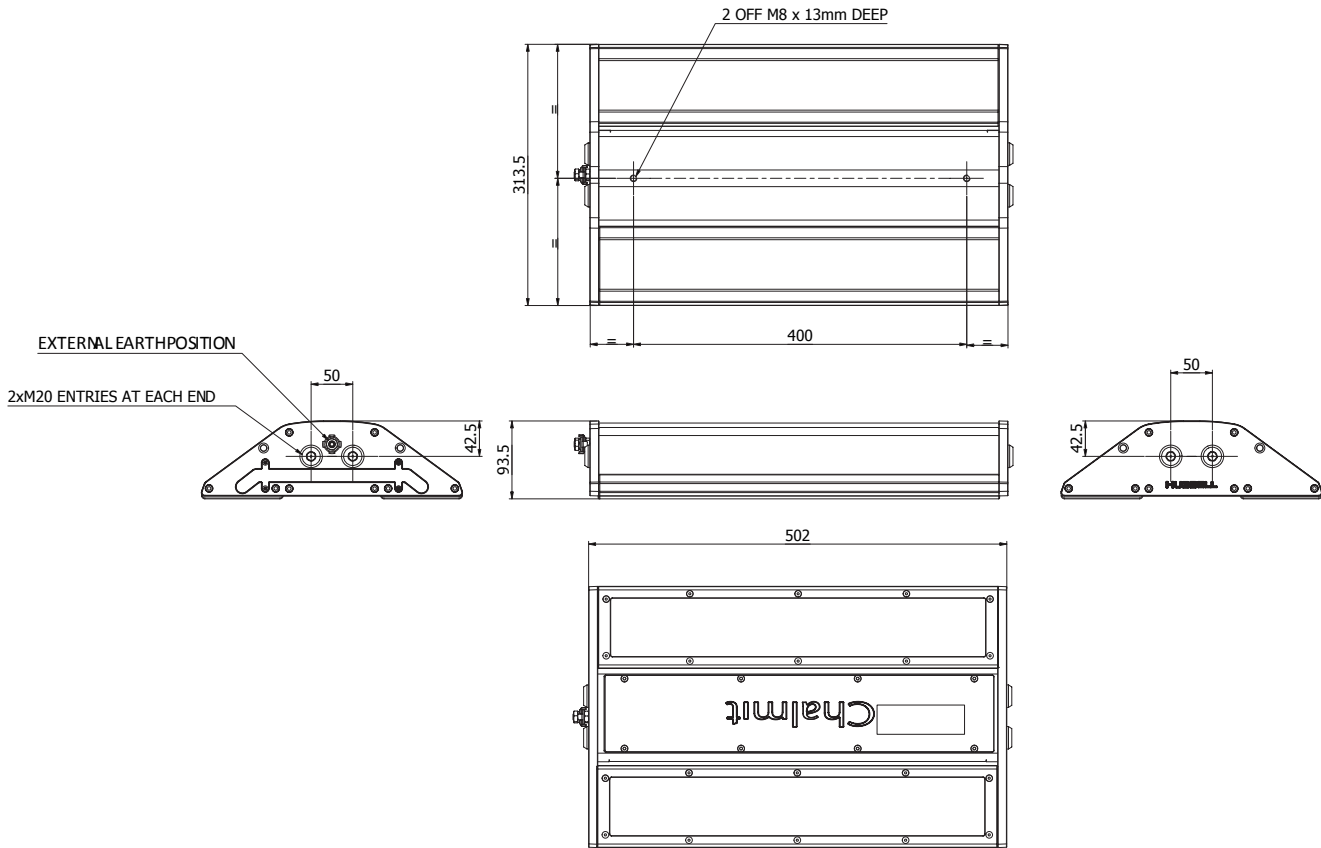
Accessories *order separately*

	Order Code
Pole mounting bracket assembly (38-42mm diameter poles)	SPOL4-100001
Pole mounting bracket assembly (48-52mm diameter poles)	SPOL4-100002
Pole mounting bracket assembly (58-62mm diameter poles)	SPOL4-100003
Hook type ceiling bracket assembly	SPRO4-0005
Flush mounted wall bracket assembly	SPRO4-0006
Ceiling bracket assembly	SPRO4-0002
Standard wall mounting outreach bracket (use with SPOL4-100001)	NPRO4-0008
Eyebolt mounting assembly*	SPRO5-0005
Protecta 4ft adaptor bracket	SPRO5-0006

*Only available for the 05L option.



PROTECTA X - 05L



PROTECTA X - 02L

