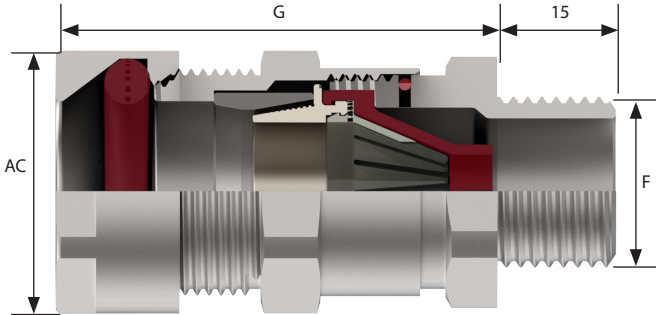


501/455/USG

Flameproof, Increased Safety & Dust Protection
 Certified ATEX / IECEx / UKEX

International Approvals



Features

- Provides Armour Clamping using one clamping arrangement for all armour/braid types
- Diaphragm Seal on inner sheath of cable which will not damage cables that exhibit 'Cold Flow' characteristics
- Outer Deluge Seal to prevent moisture ingress to the cable armour/braid
- Provides a Cable Retention and Low Smoke and Fume, Zero Halogen Seal onto the cables outer sheath
- Manufactured in Brass (standard), Nickel Plated Brass, 316 Stainless Steel or Aluminium
- Brass NPT entries are nickel plated as standard

The 501/455/USG Cable Gland is robust and for use with single wire armour 'W', wire braid 'X', steel tape armour 'Z', elastomer and plastic insulated cables. Also ideal and for particular use with cables that exhibit 'Cold Flow' characteristics and can be used indoor or outdoor. All cable glands can be supplied with a shroud, lock nut, serrated washer and an earth tag. See technical section for installation rules and regulations.

Cable Gland Selection Table

Size Ref.	Entry Thread Size 'F'		Cable Acceptance Details						'G' Max	Hexagon Dimensions	
	Metric	NPT* Standard or Option	Inner Sheath		Outer Sheath		Armour Braid			Across Flats	Across Corners
			Min	Max	Min	Max	Orientation 1	Orientation 2			
Os	M20 or M16	1/2"	3.5	8.0	6.5	12.0	0.8/1.25	0.1/0.8	60.0	24.0	26.5
O	M20 or M16	1/2"	6.0	11.0	9.0	16.0	0.8/1.25	0.1 / 0.8	55.0	24.0	26.5
A	M20	3/4" or 1/2"	8.5	14.5	12.0	20.0	0.8 / 1.25	0.1 / 0.8	60.0	30.0	33.0
B	M25	1" or 3/4"	12.0	20.0	16.0	26.0	1.25 / 1.6	0.1 / 0.8	63.1	36.0	39.8
C	M32	1 1/4" or 1"	17.0	26.0	20.0	33.0	1.6 / 2.0	0.1 / 0.8	77.3	46.0	51.0
C2	M40	1 1/2" or 1 1/4"	23.0	32.0	29.0	41.0	1.6 / 2.0	0.1 / 0.8	82.0	55.0	62.5
D	M50	2" or 1 1/2"	29.0	41.0	36.0	52.0	1.8 / 2.5	0.1 / 1.0	94.5	65.0	74.5
E	M63	2 1/2" or 2"	40.0	56.0	50.0	65.0	1.8 / 2.5	0.1 / 1.0	101.0	80.0	91.0
F	M75	3" or 2 1/2"	54.5	68.0	61.0	78.0	1.8 / 2.5	0.1 / 1.0	113.0	95.0	106.0

All metric entry threads are 1.5mm pitch as standard, 15mm length of thread.

*All dimensions in mm except for NPT thread sizes. NPT threadform may result in a reduction in inner sheath acceptance diameter. Contact Hawke Technical for further clarification.

Technical Data

Ingress Protection	IP66 IP67 and IP68 (50m for 30mins) to IEC/EN 60529
Deluge Protection	To DTS01
Operating Temperature	-60°C to +80°C
Applications	Suitable for use in Zone 1, Zone 21, Zone 2 and Zone 22

Approvals

Protection Class	Ex II 2GD Ex db IIC Gb, Ex eb IIC Gb, Ex tb IIIC Db
ATEX Certificate No	CESI 19ATEX018X
IECEx Certificate No	IECEx CES 19.0013X
UKEX Certificate No	CML 21UKEX1823X
Construction & Test Standards	IEC/EN 60079-0, IEC/EN 60079-1, IEC/EN 60079-7 and IEC/EN 60079-31
Additional Certifications	CCC: 2020312313000307 EAC: No EA3C RU C-GB.HA91.B.00264/21

Ordering Information

Format for ordering is as follows:

Cable Gland Type	Size	Thread	Material
501/455/USG	C	M32	Brass
501/455/USG	C	1 1/4" NPT	Brass

Product design and specifications are subject to change without notice. Please check the Hawke website for latest specifications.