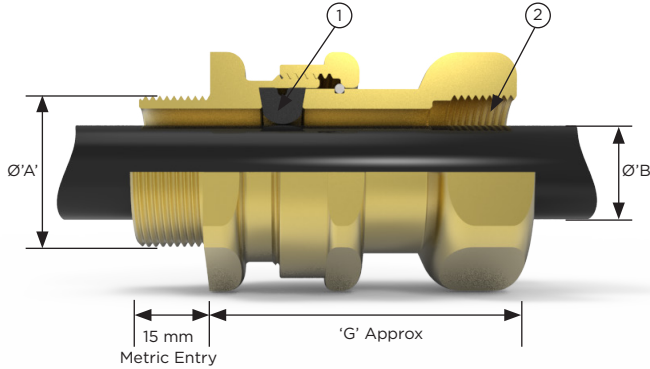




501/414

Flameproof, Increased Safety, Dust Protection and Restricted Breathing
 Class - Zones
 Certified ATEX / IECEx / UKCA / c CSA us



Features

- Elastomeric Exd flameproof seal on cable inner sheath.
- Female running coupler for cable gland or conduit entry.

The Dual certified Exe/Exd 501/414 cable gland offers a female running coupler and a seal onto the cable outer sheath for use with non-armoured elastomer and plastic insulated cables installed in conduit. May also be used with braided cables under certain conditions - See technical section for installation rules and regulations.

Cable Gland Selection Table

Size Ref.	Thread Sizes				Cable Acceptance Details				'G'	Hexagon Dimensions ³	
	Male Entry Thread 'A'		Female Conduit Thread		Outer Sheath 'B'					Across Flats	Across Corners
	Metric	NPT*	Metric	NPT*	Standard Seal		Alternative Seal				
					Min	Max	Min	Max			
Os	M20 ²	½"	M20 ²	½"	3.2	8.0	-	-	54.5	24.0	26.5
O	M20 ²	½"	M20 ²	½"	6.5	11.9	-	-	54.5	24.0	26.5
A	M20	¾" or ½"	M20	¾" or ½"	10.0	14.3	9.0	13.4	56.4	30.0	32.5
B	M25	1" or ¾"	M25	1" or ¾"	13.0	20.2	9.5	15.4	48.2	36.0	39.5
C	M32	1¼" or 1"	M32	1¼" or 1"	19.5	26.5	15.5	21.2	61.6	46.0	50.5
C2	M40	1½" or 1¼"	M40	1½" or 1¼"	25.0	32.5	22.0	28.0	64.6	55.0	60.6
D	M50	2" or 1½"	M50	2" or 1½"	31.5	44.4 / 42.3 ¹	27.5	34.8	83.2	65.0	70.8
E	M63	2½" or 2"	M63	2½" or 2"	42.5	56.3 / 54.3 ¹	39.0	46.5	83.2	80.0	88.0
F	M75	3" or 2½"	M75	3" or 2½"	54.5	68.2 / 65.3 ¹	49.5	58.3	86.4	95.0	104.0

All dimensions in millimetres (except * where dimensions are in inches).

¹ Smaller value is applicable when selecting reduced NPT entry option.

² Sizes Os and O are available with an M16 thread size. For O size with M16 thread, the maximum cable inner sheath diameter is 10.9mm

³ Hexagon dimensions as shown may increase to accommodate non-metric female threads

Technical Data

Material Options	Manufactured in Brass, Nickel Plated Brass or 316L Stainless Steel
Ingress Protection	IP66, IP67
Enclosure Protection	IK10 to IEC 62262
Deluge Protection	to DTS01
Operating Temperature	-60°C to +100°C
Protection Class	Ex II 2GD Ex db IIC Gb; Ex eb IIC Gb; Ex nR IIC Gc; Ex tb IIIC Db

Approvals

ATEX Certificate No	CML 19ATEX1167X CML 19ATEX4507X (Ex nR)
IECEx Certificate No	CML 19.0045X CML 21.0012X (Ex nR)
UKEX Certificate No	CML 21UKEX1161X CML 21UKEX4133X (Ex nR)
Construction & Test Standards	IEC/EN 62444 (Anchorage Type B), IEC/EN 60079-0, 1, 7, 15, 31
Marine Approvals	ABS: 19-LD1876514-1-PDA BV: 43523 / B0
Additional Certifications	CCC: 2020312313000311 EAC: No EA3C RU C-GB.HA91.B.00264/21 EQM: 20-11-27224/Q20-11-000979/NB0007 Inmetro: IEx 14.0272X PESO: P450038

NEC/CEC

NEC Protection Class	Class I, Zone I, AEx eb IIC Gb; Zone 21, AEx tb IIIC Db
CEC Protection Class	Class I Div 2 ABCD, Class II Div 2 EFG and Class III Ex db IIC Gb; Ex eb IIC Gb
c CSA us Certificate	1015065
Construction & Test Standards	UL2225, UL1203, UL514B, CSA C22.2 NO. 0-10, CSA C22.2 NO. 174-18, CSA 22.2 60079-0, CSA 22.2 60079-1, CSA 22.2 60079-7 and CSA 22.2 60079-31

International Approvals



Ordering Information

If brass is required please omit material selection

Format for ordering is as follows: Alternative Seal (S), add suffix S to ordering information

Cable Gland Type	Size	Male Thread	Female Thread	Material	(Optional)
414	C	M32	M32		S
414	C	1.25	1.25	NP	S

Order Example: 414CM32M32S

Please note all NPT entries should be state as a decimal

Please refer to part code logic information page for further details on product options