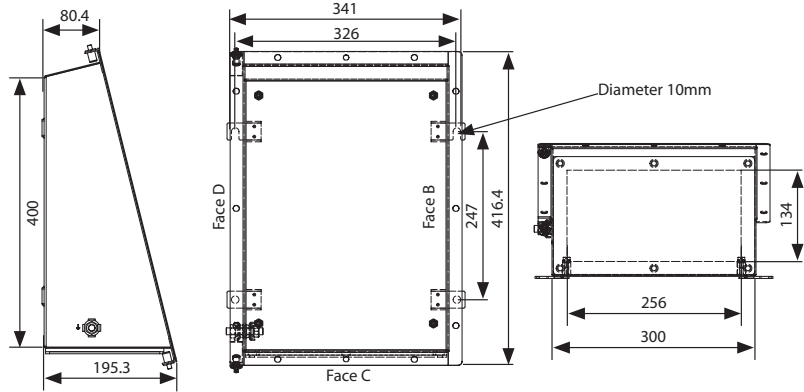
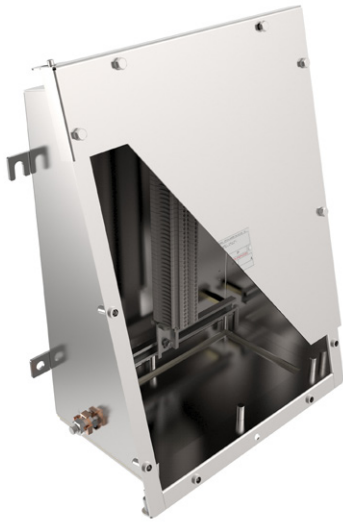




EA 403020

Increased Safety Exe Dual Certified ATEX / IECEx

11b



Product design and specifications are subject to change without notice.
Please check www.ehawke.com for latest specifications.

Selection Table

Thread Size	M16	M20	M25	M32	M40	M50	M63	M75
Face B	34	20	14	8	4	3	2	1
Face C (Gland Plate)	32	23	15	9	7	4	-	-
Face C (no Gland Plate)	53	28	23	12	8	6	3	2
Face D	29	17	12	8	4	3	2	1

Terminal Capacity

Terminal Type	Conductor Size (mm ²)		Max. Volts	Rail Orientation	Max. Physical Terminal Content			Reduced Terminal Content at Max Amps	
	Min.	Max.			Terminal Qty.	Rail Qty	Amps	Terminal Qty.	Amps
WDU 2.5	0.5	2.5	550	V	118	2	3	4	17
				H	132		3		
UT 2.5	0.5	2.5	690	V	116	2	4	9	15
				H	129		3		
WDU 4	0.5	4	690	V	98	2	4	4	22
				H	111		4		
UT 4	0.5	4	690	V	96	2	5	7	20
				H	109		5		
WDU 6	0.5	6	550	V	76	2	6	3	29
				H	84		6		
UT6	0.5	6	690	V	73	2	8	6	28
				H	81		7		
WDU 10	1.5	10	550	V	60	2	9	3	40
				H	66		8		
UT 10	1.5	10	690	V	58	2	11	5	39
				H	64		10		
WDU 16	1.5	16	690	V	50	2	12	2	53
				H	57		11		
UT 16	1.5	16	690	V	49	2	16	4	53
				H	56		15		
WDU 35	2.5	35	690	V	38	2	20	2	87
				H	42		19		
UT 35	2.5	35	690	V	38	2	23	4	70
				H	42		22		

* Max terminals are split across the quantity of terminal rails

For all enquiries please contact Steve Parkin on T: +44 (0)161 830 6617 M: +44 (0)7540501332 E: sparkin@hubbell.com