



Internal / External Earth stud (Included in PL box certification) Technical Data

- Increased Safety M6 or M8 Stainless Steel Stud.
- Ingress Protection for PL6 Series Enclosures: IP66 and IP67 to IEC/EN 60529.
- Ingress Protection for PL7 Series Enclosures: IP66 to IEC/EN 60529.
- Deluge Protection to DTS01.



Breather / Drain Device Technical Data

- Fits M20 (standard) or M25 entry positions.
- ATEX component approved and listed on Hawke ATEX IECEx Exe enclosures.
- Suitable for use in Zone 1, Zone 2, Zone 21 and Zone 22.
- Ingress Protection: IP66 to IEC/EN 60529.
- Operating Temperature Range: -50°C to +85°C.



Terminal Block Type: HTB6 Technical Data

- Increased Safety Ⓢ II 2 GD.
- Certificate No's: Baseefa08ATEX0266U and IECEx BAS 08.0085U.
- Construction and Test Standards: IEC/EN 60079-0, IEC/EN 60079-7.
- Assembly Instruction Sheet: AI 388.

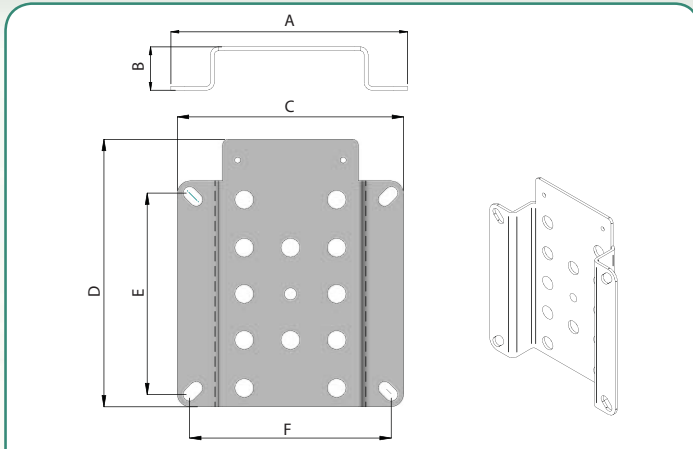
Note: Approved Component available from Hawke.



Pillar Earth Terminal Type: PET5 Technical Data

- Increased Safety Ⓢ II 2 GD.
- Certificate No's: Baseefa09ATEX0035U and IECEx BAS 09.0010U.
- Construction and Test Standards: IEC/EN 60079-0, IEC/EN 60079-7.
- Assembly Instruction Sheet: AI 387.

Note: Approved Component available from Hawke.



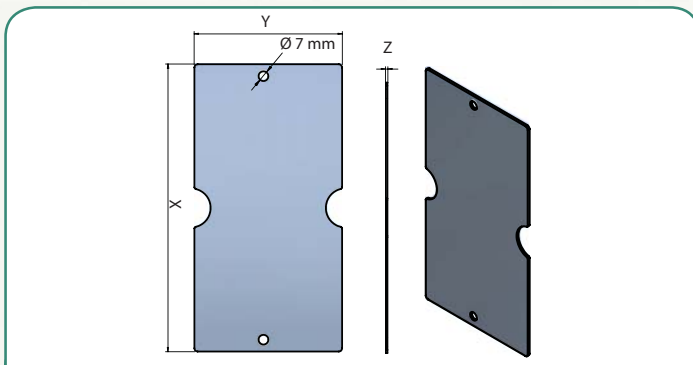
DIM	PLATE NO. (Size in mm)					
	9450	9451	9452	9453	9454	9455
A	80	110	150	200	180	180
B	22	22	22	22	22	22
C	120	150	200	300	260	220
D	142	172	222	322	182	142
E	107	134	180	280	144	106
F	107	134	180	280	244	206
ENCLOSURE	PL612/712	PL615	PL620	PL630	PL626	PL722

Back Plate / Mounting Plate

The GRP enclosures, manufactured by Hawke International, are the ultimate in robust GRP construction - well above the levels required for certification. Certain GRP enclosures are designed to withstand impact resistance up to 20Nm with the requirement for Exe enclosures at just 7Nm.

The GRP Range, combined with the new Hawke mounting plate, offers the installer even greater ease of fitting. The external mounting feet of the range eliminates the need to remove the lid when mounting the enclosure on the Hawke mounting plate, preventing any foreign materials entering the enclosure during installation and eliminating the need for hot work permits

Hawke mounting plates are available to mount any of the PL6 or PL7 series range of enclosures and can be used on walls, pipes as well as unistrut, is stainless steel in construction and has multiple mounting holes allowing greater on-site flexibility. The mounting plates also allow for the fitting of customer labels.



Box Size	Height (X)	Width (Y)	Thick (Z)
Size 1	176	86	1.6
Size 2	236	198	1.6
Size 3	358	198	1.6
Size 4	368	304	1.6
Size 5	466	304	1.6
Size 6	580	380	1.6
Size 7	700	480	1.6
Size 8	820	570	1.6
Size 9	940	670	1.6
Size 2L	236	304	1.6
Size 4L	368	380	1.6

Drop In Plate

The stainless steel enclosures, sizes 1 through 9, are available with an optional "drop-in" mounting plate, facilitating the installation and termination of cabling and associated termination equipment.

The plates, constructed from galvanised steel as standard, will allow the easy mounting of various equipment sizes and types. All complex termination, wiring and mounting procedures can then take place outside of the confines of the enclosure.

For sizes S1, the plate is fitted with two fixing positions, all other sizes have four fixing positions.