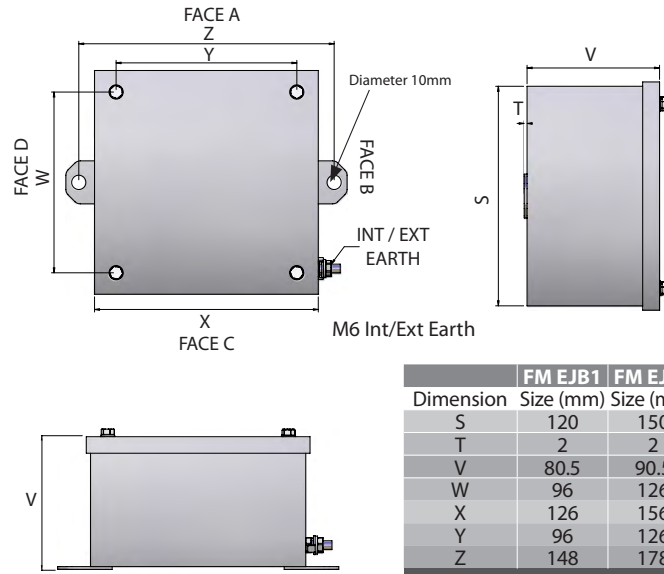
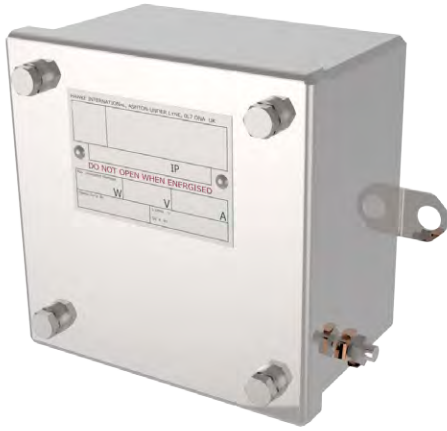




FM EJB



Dimension	FM EJB1 Size (mm)	FM EJB2 Size (mm)
S	120	150
T	2	2
V	80.5	90.5
W	96	126
X	126	156
Y	96	126
Z	148	178

Maximum Quantity of Entries Per Face												
Thread Size	M16		M20		M25		M32		M40		M50	
Box Type	FM EJB1	FM EJB2	FM EJB1	FM EJB2	FM EJB1	FM EJB2	FM EJB1	FM EJB2	FM EJB1	FM EJB2	FM EJB1	FM EJB2
Face A/C	6	10	6	8	3	3	2	2	2	2	0	1
Face B	4	8	4	6	2	2	1	2	1	2	0	1
Face D	6	10	6	8	3	3	2	3	2	2	0	1

Terminal Capacity							
Terminal Type	Conductor Size (mm ²)		Max. Volts	Max. Physical Terminal Content			
	Min.	Max.		Terminal Qty		Amps	
				FM EJB1	FM EJB2	FM EJB1	FM EJB2
SAKK 4	0.5	6	275	5	9	20	20

Fire Test	
In accordance with BS EN50200:2006 (Resistance to fire with mechanical shock)	120mins at 830 (+40-0)°C with mechanical shock and a rated voltage of 240v rms.
Fire test: In accordance with BS 8434-2:2003 +A2 2009 (Resistance to fire with mechanical shock and water spray)	120mins at 930 (+40-0)°C with mechanical shock and a rated voltage of 240v rms. (60 mins fire and shock and 60 mins fire, shock and water)

Features

FireMate safety critical enclosures have been developed to be used on underground and over ground rail networks, and commercial and public buildings, where it is critical for equipment to work during an evacuation and rescue situation.

Tested to the latest fire standards BS EN50200:2006 and BS8434-2: 2003 + A2: 2009 our enclosure will maintain its electrical and structural integrity during the harshest of fire conditions. The product is designed to be used in escape route safety equipment: emergency lighting circuits; fire alarms; voice alarms; shutdown systems; fire detection.

Technical Data

Construction and Test Standards	BS EN50200:2006, BS8434-2:2003 + A2 2009, GPSD (2001/95/EC)
Ingress Protection	IP66 to IEC/EN 60529
Material	Zinc Plated Mild Steel
Operating Temperature	Range: -60°C to +80°C
Assembly Instructions	AI 297

Ordering information - please state the following;
Box size, Terminal quantity/size, Gland entry quantity, Size/position
 For any further help with enclosure configuration please contact Hawke International