



HDL106N

Ex e LED Floodlight

The **HDL106N** is a lightweight and compact Zone 1 floodlight which can be interlinked to provide an effective LED alternative to traditional HID floodlights, up to 250W.

With a variety of beam options, extensive ambient range and marine grade construction, this is a global lighting solution to suit any harsh and hazardous application.



Mounting Options

Floodlight. Pendant. Bulkhead. High Bay. Pole/Column. Road Lighting.

Standard Specification

HDL106N Ex e LED Floodlight

Type of Protection	Ex e mb (Increased Safety, Encapsulation) Ex tb (Dust Protected Enclosure)
ATEX Classification	Group II Category 2 GD
Area Classification	Zone 1 and Zone 21 areas to EN 60079-10-1 and EN 60079-10-2 with installation to EN 60079-14
Certificate	EU Type Examination Certificate - Sira 09ATEX5159X IECEX Certificate of Conformity - IECEX SIR 09.0064X
Coding	Ex e mb IIC T4/T3 Gb Ex tb IIIC T103°C Db
Ambient °C	-20 to +50 (T4) / +59.5 (T3)
Enclosure	LM6 Aluminium with epoxy powder finish (RAL 7035) and Polycarbonate diffuser
Entry	2 x M20 cable entries
Termination	3 core 4mm ² max. conductor with looping
Installation	Stirrup mounting bracket
Control Gear	Electronic Driver
Colour Temperature (CCT)	Refer to Ordering Matrix
Maintenance	M8 Hex Head and M6 SKT Head
Ingress Protection	IP66/67 to EN 60529
Surge Protection	4kV line to line, 6kV line to earth
Electrical Supply	Refer to Ordering Matrix

Features

- ◆ **Instant on** crisp white light output
- ◆ Highly **Energy Efficient**
- ◆ **Modular design** allowing up to four interlinked luminaires, each providing a delivered output > 5500lm
- ◆ **80,000** maintenance free hours at 25°C
- ◆ **Lower power consumption** than HID lamps
- ◆ **Lightweight** (6kg per module) lighting solution

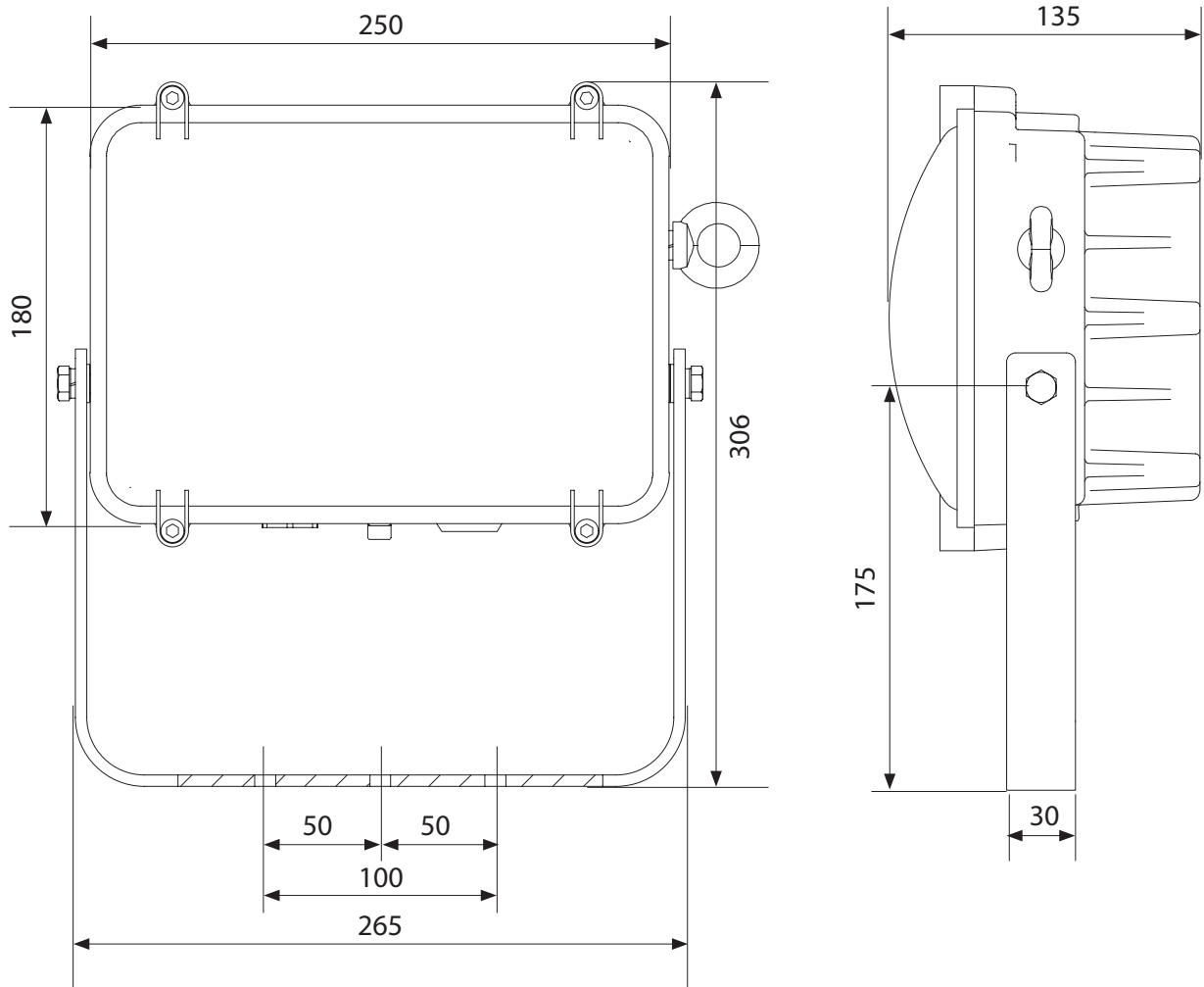
HDL 106N						
Version	Voltage	Beam Pattern	Mount	Light (CCT)	Cable Entries	Other Options
<ul style="list-style-type: none"> 0 – 24 LEDs 1 – 48 LEDs 2 – 96 LEDs 3 – 144 LEDs 4 – 192 LEDs 	<ul style="list-style-type: none"> H – 100-254V AC L – 18-54V AC/DC* 	<ul style="list-style-type: none"> N – Narrow M – Medium W – Wide X – Extra Wide 	<ul style="list-style-type: none"> H – Horizontal Mount [single unit] V – Vertical Mount [multiple units] C – Ceiling Mount 	<ul style="list-style-type: none"> W – Cool White (5700K) X – Warm White (3000K) 	<ul style="list-style-type: none"> 0 – M20 5 – M25 	<ul style="list-style-type: none"> 04 – RAL 7035 (Grey) FG – Glass front cover

*Upper ambient becomes +55°C

Typical ordering reference: HDL106N1HWHW004

Accessories Accessories should be ordered separately

Crane Damper Bracket	Order Code SSC01-000009
----------------------	----------------------------



CHDS-HDL106N-ZONE1-1/21 December 2017