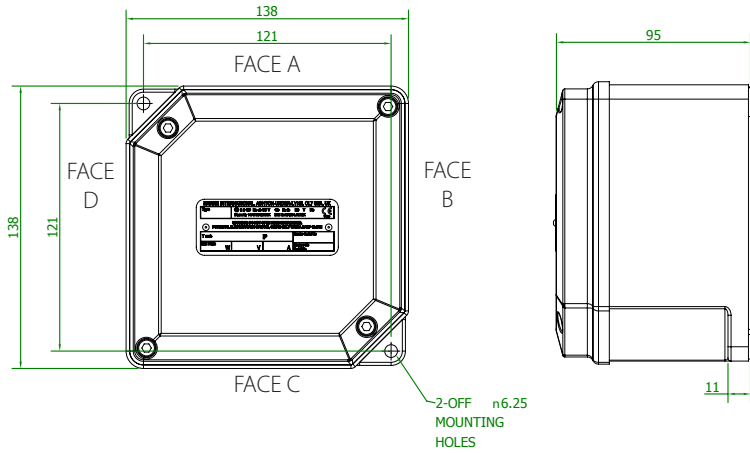
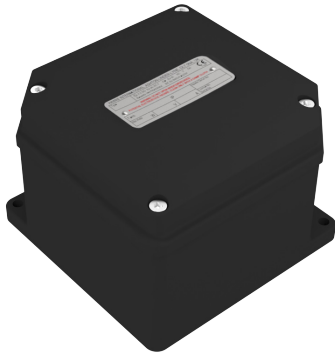




PL513

Increased Safety Exe Dual Certified ATEX/ IECEx



Moulded from robust Glass Reinforced Plastic with a natural Black Finish. The versatile PL513 has a wide operating temperature range in both in normal impact and in low risk Impact applications.

Terminal Capacity

Terminal Type	Conductor Size (mm ²)		Max Volts	Rail Orientation	Max. Physical Terminal Content			Reduced Terminal Content at Max Amps	
	Min.	Max.			Terminal Qty	Rail Qty	Amps	Terminal Qty	Amps
WDU 2.5N	0.5	2.5	440.0	V/H D	16 18	1	12 11	7	17
WDU 2.5	0.5	3	690	V/H D	16 18		12 11	7	17
UT 2.5	0.14	3	690	V/H D	16 17		12 11	10	15
WDU 4	0.5	4	690	V/H D	13 15		16 15	7	22
UT 4	0.14	4	690	V/H D	13 14		17 16	9	20
WDU 6	0.5	6	690	V/H D	10 11		23 22	6	29
UT6	0.2	6	690	V/H D	9 11		24 22	6	28
WDU 10	1.5	10	690	V/H D	8 9		32 30	5	40
UT 10	0.5	10	690	V/H D	7 8		35 33	5	39
HTB 6	0.5	Max. per Pillar 2 x 10mm ² 3 x 6mm ² 4 x 4mm ² 4 x 0.5mm ² 2 x 2.5mm ² Solid 1 x 6.0mm ² Stranded	550	N/A	1		Conductor Size mm ² 0.5 0.75 1 1.5 2.5 4 6 10	Max. Amps per Pillar 1 1 8 10 15 21 26 37	N/A

* Max terminals are split across the quantity of terminal rails

FEATURES

- Excellent operating temperature range for normal impact and low impact risk applications
- ATEX, IECEx and CSA certified
- Robust Glass Reinforced Plastic Construction
- External Mounting Feet - eliminates the need to remove the lid when mounting the enclosure on the wall.
- Corrosion Resistant Lid Fixing Screws with Retaining Feature - prevents the loss of screws during assembly and maintenance.

Technical Data	
Ingress Protection	IP66 IP67 to IEC/EC 60529
Material	Glass Reinforced Plastic (GRP) Natural Black Finish
Service Temperature	-60°C to +75°C
Temperature Class and Ambient	T6 40°C as standard Optional T5 with ambients up to 65°C For additional options see technical data
ATEX/IECEX	
ATEX/IECEX Protection Class	Ex II 2 GD Ex eb IIC Gb; Ex tb IIIC Db
ATEX Certificate No	Baseefa14ATEX0268X (PL513) Baseefa14ATEX0248U (ZPL513)
IECEX Certificate Number	IECEX BAS 14.0123X (PL513) IECEX BAS 14.0120U (ZPL513)
Construction & Test Standards	IEC/EN 60079-0, IEC/EN 60079-7 and IEC/EN 60079-31
Marine Approvals	ABS: 17-LD1653735-PDA Bureau Veritas: 43523/A1
Additional Certifications	EAC: RU C-GB.AA87.B.00430 Inmetro: IEx 16.0143X PESO: P457331
NEC/CEC	
NEC Protection Class	Class I, Zone 1, AEx e IIC Gb Zone 21, AEx tb IIIC T80°C Db
CEC Protection Class	Ex e IIC Gb Ex tb IIIC T80°C Db
c CSA us Certificate	70039997
Construction & Test Standards	UL 50E, UL508, UL12.12.01, UL/CSA-C22.2 60079-0, UL/CSA-C22.2 60079-7, UL/CSA-C22.2 60079-31, CSA-C22.2 No. 94-M91, CSA-C22.2 No. 14-M91

Maximum Quantity of Entries Per Face								
Thread Size	M16 / M20/O	M20/A	M25	M32	M40	M50	M63	M75
Face A/B/C/D	5	3	2	-	-	-	-	-

CAUTION: Entry quantities are calculated based on standard gland diameters. Entry quantity may be affected if using accessories (locknuts, washers etc) with large diameters.

Simplify your Engineering Projects with BoxHUBB



BoxHUBB is Hawke's fast, free and simple solution for configuring enclosures online. Use **BoxHUBB** for a fast, accurate, and globally accessible way to making your Enclosure design process faster than ever before. Go to www.ehawke.com/designhubb

