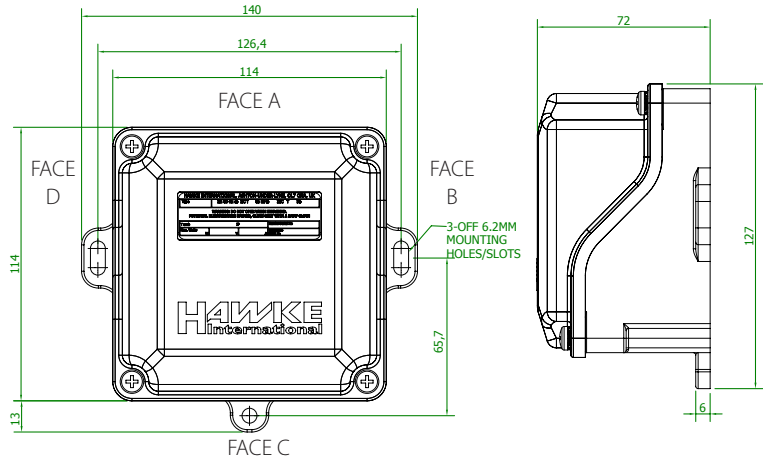




# PL511

Increased Safety Exe Dual Certified ATEX / IECEx



Reduce costs and installation time with our most economical Enclosure range. Moulded with Glass Reinforced Plastic, the ATEX & IECEx certified, PL511 offers ultimate strength in the world's most demanding environments.

## Terminal Capacity

Terminal Type	Conductor Size (mm <sup>2</sup> )		Max Volts	Rail Orientation	Max. Physical Terminal Content			Reduced Terminal Content at Max Amps			
	Min.	Max.			Terminal Qty	Rail Qty	Amps	Terminal Qty	Amps		
WDU 2.5N	0.5	2.5	440	V	9		11	3	17		
WDU 2.5	0.5	2.5	690	V	9		11	3	17		
UT 2.5	0.14	3	690	V	9		11	6	15		
WDU 4	0.5	4	690	V	8	1	15	3	22		
UT 4	0.14	4	690	V	8		15	5	20		
WDU 6	0.5	6	690	V	5		23	3	29		
UT6	0.2	6	690	V	6		21	4	28		
HPB4	0.5	Max. per Pillar	550	N/A	1	Conductor Size mm <sup>2</sup>	Max. Amps per Pillar	N/A	N/A		
		2 x 10mm <sup>2</sup>								0.5	1
		3 x 6mm <sup>2</sup>								0.75	1
		4 x 4mm <sup>2</sup>								1	8
		4 x 0.5mm <sup>2</sup>								1.5	10
		2 x 2.5mm <sup>2</sup>								2.5	15
		Solid								4	21
1 x 6.0mm <sup>2</sup>	6	26									
Stranded	10	37									

\* Max terminals are split across the quantity of terminal rails

## FEATURES

- Enables finger access for easy wiring and inspection of terminations
- Eliminates the need to remove the lid when mounting the enclosure on the wall.
- Provides Ingress Protection to IP66/67. Optimum performance at low and high temperature extremes.
- Prevents loss of screws during assembly and maintenance.
- Designed to withstand impact resistance up to 7Nm. Glass Reinforced Plastic construction provides a high degree of resistance to corrosive atmospheres.

Technical Data	
Ingress Protection	IP66 IP67 to IEC/EC 60529
Material	Glass Reinforced Plastic (GRP) Natural Black Finish
Service Temperature	-60°C to +75°C
Temperature Class and Ambient	T6 40°C as standard Optional T5 with ambients up to 65°C For additional options see technical data
ATEX/IECEX	
ATEX/IECEX Protection Class	Ex II 2 GD Ex eb IIC Gb; Ex tb IIIC Db
ATEX Certificate No	Baseefa14ATEX0268X (PL511) Baseefa14ATEX0248U (ZPL511)
IECEX Certificate Number	IECEX BAS 14.0123X (PL511) IECEX BAS 14.0120U (ZPL511)
Construction & Test Standards	IEC/EN 60079-0, IEC/EN 60079-7 and IEC/EN 60079-31
Marine Approvals	ABS: 17-LD1653735-PDA Bureau Veritas: 43523/A1
Additional Certifications	EAC: RU C-GB.AA87.B.00430 Inmetro: IEx 16.0143X PESO: P457331
NEC/CEC	
NEC Protection Class	Class I, Zone 1, AEx e IIC Gb Zone 21, AEx tb IIIC T80°C Db
CEC Protection Class	Ex e IIC Gb Ex tb IIIC T80°C Db
c CSA us Certificate	70039997
Construction & Test Standards	UL 50E, UL508, UL12.12.01, UL/CSA-C22.2 60079-0, UL/CSA-C22.2 60079-7, UL/CSA-C22.2 60079-31, CSA-C22.2 No. 94-M91, CSA-C22.2 No. 14-M91

Maximum Quantity of Entries Per Face								
Thread Size	M16	M20	M25	M32	M40	M50	M63	M75
Face B	1	1	-	-	-	-	-	-
Face C	2	2	-	-	-	-	-	-
Face D	1	1	-	-	-	-	-	-

CAUTION: Entry quantities are calculated based on standard gland diameters. Entry quantity may be affected if using accessories (locknuts, washers etc) with large diameters.

## Simplify your Engineering Projects with BoxHUBB



**BoxHubb** is Hawke's fast, free and simple solution for configuring enclosures online. Use **BoxHubb** for a fast, accurate, and globally accessible way to making your Enclosure design process faster than ever before. Go to [www.ehawke.com/designhubb](http://www.ehawke.com/designhubb)

