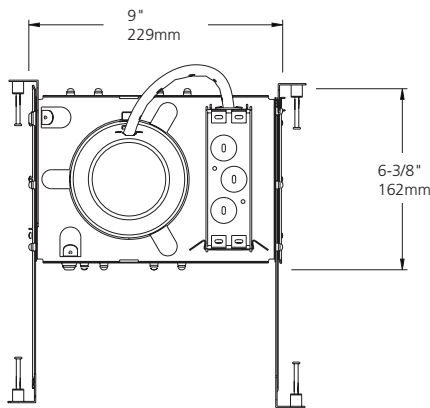
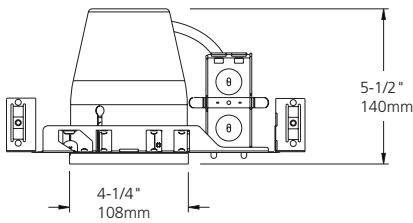
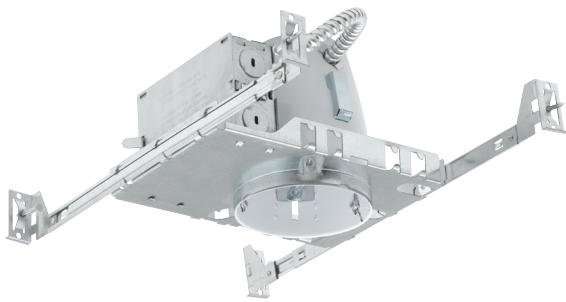


## C4T

### 4" Non-IC

### Incandescent Housing



**Description:** The C4T is a small aperture 4" non-IC, incandescent downlight housing, specifically designed to provide the contractor with the best value downlight.

**Application:** Ideal for tract and manufactured housing construction, the C4T can also be used for most light commercial and residential applications requiring a non-IC rated small aperture, line voltage downlight.

**Trim:** Trims use friction springs to attach to housing and provide a snug fit against the ceiling plane.

**Approvals:** UL/CUL Damp Location Listed. Non-IC listing requires minimum 3-inch spacing between luminaire and insulation.

**Housing:** Small footprint, 22 gauge galvanized platform for rigid support. Snap-on J-box doors provide easy access for wiring and field inspection. Housing adjusts up to 1" to accommodate different ceiling thicknesses.

**Installation:** Pre-installed bar hangers with locking screws, integral nail, and alignment tab for wood joist construction. Hangers accommodate ceiling joists of up to 24 inches on-center. Captive bar hangers secure housing in place and can be reoriented 90° to housing.

**Lamps:** Housing socket plate adjusts vertically for various lamp sizes. For use with PAR20 or R20 lamp. Lamp supplied by others.

**Electrical:** High temperature porcelain socket with plated brass or copper screw shell. Thermal protector prevents fixture from overheating when improperly installed or over-lamped.

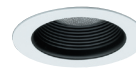
#### HOUSING

##### C4T

#### TRIMS



**410W**  
50W PAR20/R20  
White Full Baffle



**410B**  
50W PAR20/R20  
Black Full Baffle



**450W**  
50W PAR20/R20  
White Eyeball