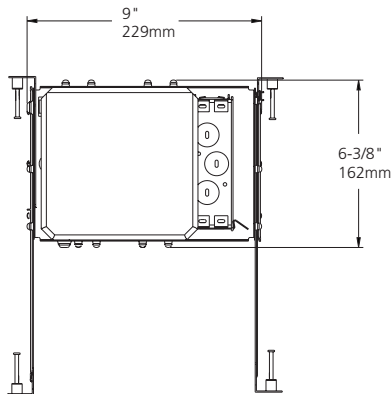
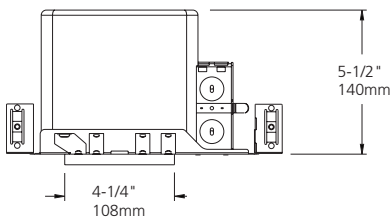


C4ICAT

4" IC Airtight Incandescent Housing



Description: The C4ICAT is a small aperture 4" IC, airtight, incandescent downlight housing, specifically designed to provide the contractor with the best value downlight.

Application: Ideal for tract and manufactured housing construction, the C4ICAT can also be used for most light commercial and residential applications where insulated ceilings require an IC rated small aperture, line voltage downlight.

Trim: Trims use friction springs to attach to housing and provide a snug fit against the ceiling plane.

Approvals: UL/CUL Damp Location Listed. IC listed for direct contact with insulation. Airtight tested to ASTM E283 standards. Meets State of Washington and California Title 24 Restricted air flow requirements.

Housing: Small footprint, 22 gauge galvanized platform for rigid support. Snap-on J-box doors provide easy access for wiring and field inspection. Housing adjusts up to 1" to accommodate different ceiling thicknesses.

Installation: Pre-installed bar hangers with locking screws, integral nail, and alignment tab for wood joist construction. Hangers accommodate ceiling joists of up to 24 inches on-center. Captive bar hangers secure housing in place and can be reoriented 90° to housing.

Lamps: Housing socket plate adjusts vertically for various lamp sizes. Use with PAR20 or R20 lamp. Lamp supplied by others.

Electrical: High temperature porcelain socket with plated brass or copper screw shell. Thermal protector prevents fixture from overheating when improperly installed or over-lamped.

HOUSING

C4ICAT

TRIMS



410W
50W PAR20/R20
White Full Baffle



410B
50W PAR20/R20
Black Full Baffle



450W
50W PAR20/R20
White Eyeball