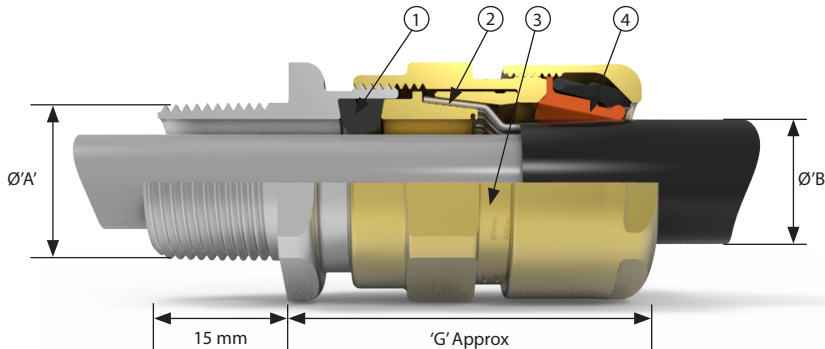




153 X

North American
General Purpose



- 1 Elastomeric seal on cable inner sheath
- 2 Fully Inspectable Armour Clamp - For 'W' wire braid
- 3 Patented Cable Gland Tightening Guide - Helps prevent damage caused by over tightening
- 4 Unique Rear Seal - Offering ultimate sealing over an extremely wide cable acceptance range.

International Approvals



The 153/X Cable Gland is general purpose cable gland for use with wire braid 'X', elastomer and plastic insulated cables. The gland provides an elastomeric seal on the cable inner sheath, and a low smoke, zero halogen IP and retention seal onto the cable outer sheath.
See technical section for installation rules and regulations

Cable Gland Selection Table													
Size Ref.	Entry Thread Size 'A'		Cable Acceptance Details								'G'	Hexagon Dims	
	Metric	NPT* Standard or Option	Standard Seal		Alternative Seal (S)		Outer Jacket 'B'		Armour / Braid 'C'			Across Flats	Across Corners
			Min	Max	Min	Max	Min	Max	Orientation 1	Orientation 2			
Os	M202	½"	0.13"	0.31"	-	-	0.22"	0.47"	0.0315"/0.0492"	0"/0.0315"	2.05"	0.94"	1.04"
O	M202	½"	0.26"	0.47"	-	-	0.41"	0.63"	0.0315"/0.0492"	0"/0.0315"	2.05"	0.94"	1.04"
A	M20	¾" or ½"	0.39"	0.58"	0.35"	0.53"	0.50"	0.81"	0.0315"/0.0492"	0"/0.0315"	2.09"	1.18"	1.28"
B	M25	1" or ¾"	0.51"	0.79"	0.37"	0.61"	0.67"	1.02"	0.0492"/0.063"	0"/0.0276"	2.34"	1.42"	1.56"
C	M32	1¼" or 1"	0.77"	1.04"	0.61"	0.83"	0.98"	1.30"	0.063"/0.0787"	0"/0.0276"	2.52"	1.81"	1.99"
C2	M40	1½" or 1¼"	0.98"	1.28"	0.87"	1.10"	1.30"	1.56"	0.063"/0.0787"	0"/0.0276"	2.69"	2.17"	2.39"
D	M50	2" or 1½"	1.24"	1.75"/1.66" ¹	1.08"	1.37"	1.56"	2.05"	0.0709"/0.0984"	0"/0.0394"	3.11"	2.56"	2.79"
E	M63	2½" or 2"	1.67"	2.22"/2.14" ¹	1.54"	1.83"	2.05"	2.52"	0.0709"/0.0984"	0"/0.0394"	3.09"	3.15"	3.46"
F	M75	3" or 2½"	2.15"	2.69"/2.57" ¹	1.95"	2.3"	2.52"	3.07"	0.0709"/0.0984"	0"/0.0394"	3.30"	3.74"	4.09"
H	M90	3" or 3½"	2.64"	3.06"	-	-	2.96"	3.52"	0.0787"/0.1378"	0"/0.0394"	3.76"	4.53"	5.12"

Os-F size metric entry threads are 1.5mm pitch as standard, 15mm length of thread.
For H size glands, a 2mm pitch is supplied as standard, 20mm length of thread (1.5mm pitch with 15mm length of thread can be supplied) please specify when ordering

¹ Smaller value is applicable when selecting reduced NPT entry option.

² Sizes Os and O are available with an M16 thread size. For O size with M16 thread, the maximum cable inner jacket diameter is 0.43"

Technical Data	
Area Classification	UL listed for use Wet Locations. UL listing No: E218332
Construction & Test Standards	UL 514B
Ingress Protection	IP66, IP67, IP68* (30 metres for 7 days) and IP69 to IEC/EN 60529 and NEMA 4X
Operating Temperature	-50°C to +60°C
Alternative Certification	Options available: DNV Marine Approval, ABS Marine Approval

Ordering Information			
Format for ordering is as follows: Alternative Seal (S), add suffix S to ordering information			
Cable Gland Type	Size	Thread	(Optional)
153/X	C	M32	S
153/X	C	1" NPT	S

Order Example: 153/X C M32 S

Cable Gland Tightening Guide

Whilst Hawke International goes to great lengths to ensure products are designed to be as simple to install, inspect and maintain as is possible, differing levels of competency, training and understanding can lead to glands being incorrectly installed. With hazardous area products, any poor installation issues can not only lead to expensive equipment failure, but also potential explosion risks and associated risk to life.

To help address issues with the overtightening of cable glands and the resultant damage to cables and seals, Hawke International has developed the patented **INBUILT TIGHTENING GUIDE**.

Without the need for fiddly measuring systems, the guide provides a permanent visual indication of the gland tightness through installation, inspection and maintenance.

How it works

The gland is permanently marked with various lines/numbers indicating the correct tightening level related to the cable diameter. Following the relevant cable gland Installation Instructions, the back seal should be tightened until a seal is formed on the cable outer sheath and then tightened one further turn.



Step 1
Follow cable gland installation instructions until final stage – tightening of rear seal



Step 2
Tighten backnut until a seal is formed onto the cable, then tighten one further turn



Step 3
The backnut should be level with the marking guide corresponding to its diameter – this can be visually inspected and adjusted as necessary

Note: The cable gland installation instructions have a printed cable OD measure for if the cable OD is not known