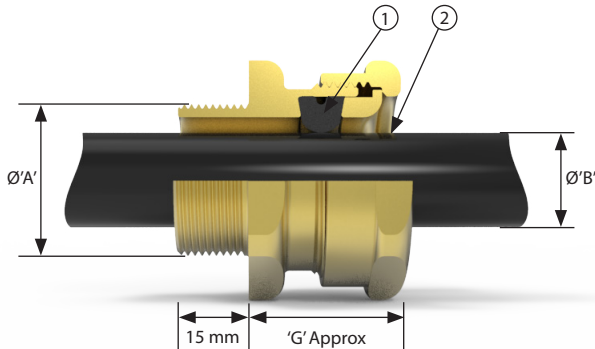




321

Increased Safety, Dust Protection
Certified ATEX / IECEx



- 1 Elastomeric Exe Increased Safety seal on cable outer sheath
- 2 Rounded Cable entry to prevent cable damage

The 321 Exe cable gland is intended for use on non-armoured elastomer and plastic insulated cables. This cable gland may be used with braided cables where the braid and outer sheath pass into the enclosure. The braid must then be suitably terminated inside the enclosure.

Cable Gland Selection Table

Size Ref.	Entry Thread Size		Cable Acceptance Details				'G'	Hexagon Dimensions	
	Metric	NPT* Standard	Outer Sheath 'B'					Across Flats	Across Corners
			Standard Seal		Alternative Seal (S)				
			Min.	Max.	Min.	Max.			
2K	M16	—	3.2	8.0	—	—	23.5	19.0	21.2
Os	M20 ²	½"	3.2	8.0	—	—	23.8	24.0	26.5
O	M20 ²	½"	6.5	11.9	—	—	23.8	24.0	26.5
A	M20	¾" or ½"	10.0	14.3	9.0	13.4	24.8	30.0	32.5
B	M25	1" or ¾"	13.0	20.2	9.5	15.4	25.8	36.0	39.5
C	M32	1¼" or 1"	19.5	26.5	15.5	21.2	29.2	46.0	50.5
C2	M40	1½" or 1¼"	25.0	32.5	22	28	30.5	55.0	60.6
D	M50	2" or 1½"	31.5	44.4 / 42.3 ¹	27.5	34.8	40.4	65.0	70.8
E	M63	2½" or 2"	42.5	56.3 / 54.3 ¹	39	46.5	38.2	80.0	88.0
F	M75	3" or 2½"	54.5	68.2 / 65.3 ¹	49.5	58.3	40.5	95.0	104.0
G	M80	3½"	67.0	73.0	—	—	41	106.4	115.0
H	M90	3½"	67.0	77.6	—	—	41.0	115.0	130.0
J	M100	4"	75.0	91.6	—	—	41.0	127.0	142.0

2K to F size metric entry threads are 1.5mm pitch as standard, 15mm length of thread.

For G size glands and above, a 2mm pitch is supplied as standard, 20mm length of thread (1.5mm pitch with 15mm length of thread can be supplied) please specify when ordering.

All dimensions in millimetres (except * where dimensions are in inches).

¹Smaller value is applicable when selecting reduced NPT entry option.

²Sizes Os and O are available with an M16 thread size. For O size with M16 thread, the maximum cable outer sheath diameter is 10.9mm

Technical Data

Ingress Protection	IP66, IP67 and IP68 (30 metres for 7 days, special conditions may apply) to IEC/EN 60529 and NEMA 4X
Deluge Protection	Deluge Protection to DTS01
Operating Temperature	-60°C to +100°C
ATEX/IECEx	
ATEX/IECEx Protection Class	Ex II 2GD Ex eb IIC Gb; Ex tb IIIC Db
ATEX Certificate No	CML 19ATEX3164X
IECEx Certificate No	CML 19.0042X
Construction & Test Standards	IEC/EN 60079-0, IEC/EN 60079-7 and IEC/EN 60079-31
Additional Certifications	EAC: RU C-GB.AA87.B.00430

Ordering Information

Format for ordering is as follows: Alternative Seal (S), add suffix S to ordering information

Cable Gland Type	Size	Thread	Material	(Optional)
321	C	M32	Brass	S
321	C	1¼" NPT	Brass	S

Order Example: 321 C M32 Brass S